

**(12) PATENT APPLICATION**  
**(19) AUSTRALIAN PATENT OFFICE**

**(11) Application No. AU 200020703 A1**

(54) Title  
**Floor covering, consisting of hard floor panels and method for manufacturing such floor panels**

(51)<sup>7</sup> International Patent Classification(s)  
**E04F 015/04 F16B 005/00**

(21) Application No: **200020703**

(22) Application Date: **2000.03.07**

(43) Publication Date : **2000.06.01**

(43) Publication Journal Date : **2000.06.01**

(62) Divisional of:  
**199732569**

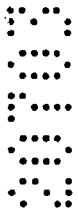
(71) Applicant(s)  
**Unilin Beheer B.V.**

(72) Inventor(s)  
**Name Not Given**

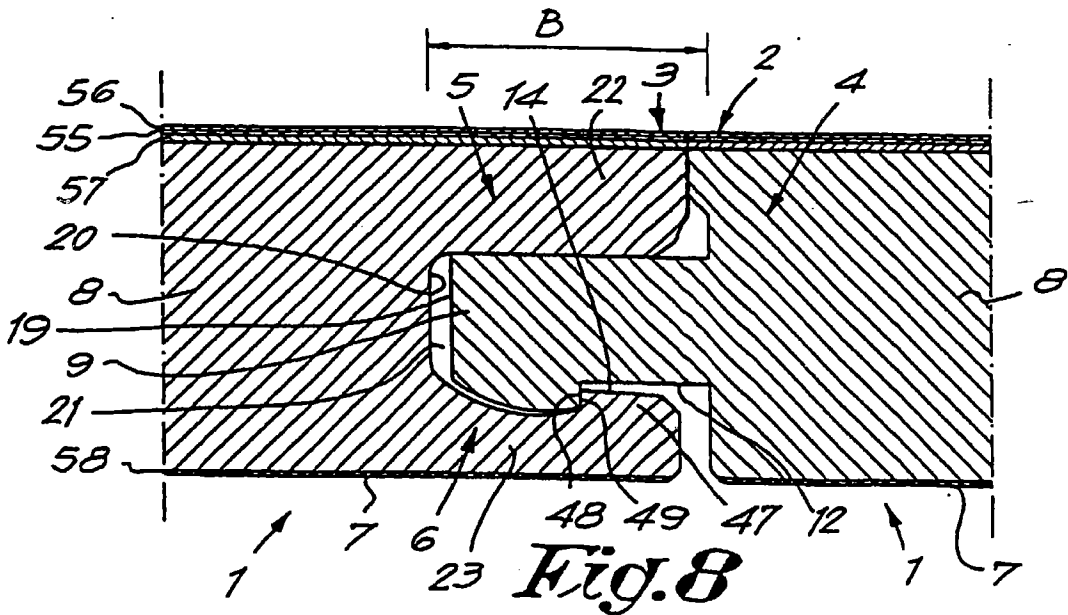
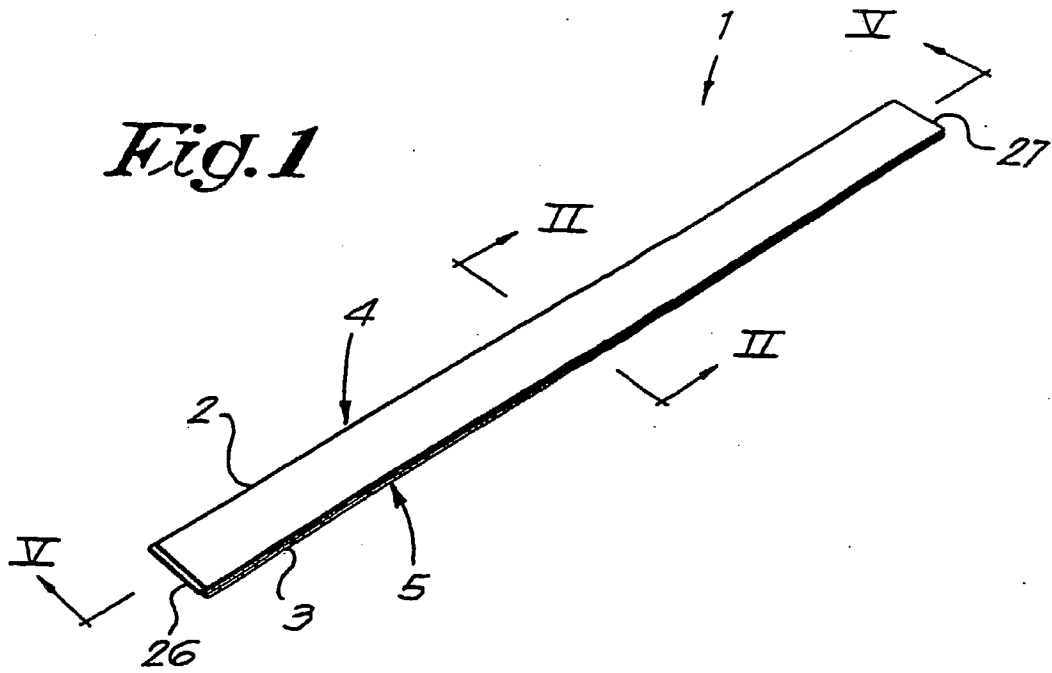
(74) Agent/Attorney  
**DAVIES COLLISON CAVE, GPO Box 3876, SYDNEY NSW 2001**

### ABSTRACT

5 Floor covering, consisting of hard floor panels which, at least at the edges of two opposite sides, are provided with coupling parts, cooperating with each other, substantially in the form of a tongue and a groove, characterised in that the coupling parts are provided with integrated mechanical locking means which prevent the drifting apart of two coupled floor panels into a direction (R) perpendicular to the related edges and parallel to the  
10 underside of the coupled floor panels.



*Fig. 1*



Our Ref:7465193

P/00/011  
Regulation 3:2

AUSTRALIA

---

Patents Act 1990

---

**ORIGINAL  
COMPLETE SPECIFICATION  
STANDARD PATENT**



Applicant(s):

Unilin Beheer B.V.  
Hoogeveenenweg 28  
LV Nieuwerkerk aan de IJssel NL-2913  
The Netherlands

Address for Service:

DAVIES COLLISON CAVE  
Patent & Trade Mark Attorneys  
Level 10, 10 Barrack Street  
SYDNEY NSW 2000

Invention Title:

Floor covering, consisting of hard floor panels and method for  
manufacturing such floor panels.

The following statement is a full description of this invention, including the best method of  
performing it known to me:-

Floor covering, consisting of hard floor panels and method for manufacturing such floor panels.

---

5 This invention relates to a floor covering, consisting of hard floor panels, as well as to a method for manufacturing such floor panels.

10 In first instance, the invention is intended for so-called laminated floors, but generally it can also be applied for other kinds of floor covering, consisting of hard floor panels, such as veneer parquet, prefabricated parquet, or other floor panels which can be compared to laminated floor.

15 It is known that such floor panels can be applied in various ways.

20 According to a first possibility, the floor panels are attached at the underlying floor, either by glueing or by nailing them on. This technique has as a disadvantage that it is rather complicated and that subsequent changes can only be made by breaking out the floor panels.

25 According to a second possibility, the floor panels are installed loosely onto the underground, whereby the floor panels mutually match into each other by means of a tongue and groove coupling, whereby mostly they are glued together in the tongue and groove, too. The floor  
30 obtained in this manner, also called a floating parquet flooring, has as an advantage that it is easy to install and that the complete floor surface can move which often is convenient in order to receive possible expansion and shrinkage phenomena.

35

A disadvantage with a floor covering of the above-

mentioned type, above all, if the floor panels are installed loosely onto the underground, consists in that during the expansion of the floor and its subsequent shrinkage, the floor panels themselves can drift apart, as a result of which undesired joints can be formed, for example, if the glue connection breaks.

In order to remedy this disadvantage, techniques have already been thought of whereby connection elements made of metal are provided between the single floor panels in order to keep them together. Such connection elements, however, are rather expensive in manufacturing them and, furthermore, their provision or the installation thereof is a time-consuming occupation.

Examples of embodiments which apply such metal connection elements are described, among others, in the documents WO 94/26999 and WO 93/13280.

Furthermore, couplings are known which allow to snap floor parts into each other, a.o. from the documents WO 94/1628, WO 96/27719 and WO 96/27721. The snapping-together effect obtained with these forms of embodiment, however, does not guarantee a 100-percent optimum counteraction against the development of gaps between the floor panels, more particularly, because in fact well-defined plays have to be provided in order to be sure that the snapping-together is possible.

From GB 424.057, a coupling for parquetry parts is known which, in consideration of the nature of the coupling, only is appropriate for massive wooden parquetry.

Furthermore, there are also couplings for panels known from the documents GB 2.117.813, GB 2.256.023 and DE 3.544.845. These couplings, however, are not appropriate

for connecting floor panels.

The invention aims at an improved floor covering of the aforementioned type, the floor panels of which can be coupled to each other in an optimum manner and/or the floor panels of which can be manufactured in a smooth manner, and whereby preferably one or more of the aforementioned disadvantages are excluded.

The invention also aims at a floor covering which shows the advantage that no mistakes during installation, such as gaps and such, can be created.

Furthermore, the invention also aims at a floor covering whereby the subsequent development of gaps is excluded or at least counteracted in an optimum manner, whereby also the possibility of the penetration of dirt and humidity is minimalized.

To this aim, the invention relates to a floor covering, consisting of hard floor panels which, at least at the edges of two opposite sides, are provided with coupling parts, co-operating with each other, whereby the coupling parts are provided with integrated mechanical locking means made in one piece with the panels which prevent the drifting apart of two coupled floor panels into a direction perpendicular to the related edges and parallel to the underside of the coupled floor panels, characterized in that the coupling parts are provided with means which, in

the engaged condition of two or more of such floor panels, exert a tension force upon each other which forces the floor panels at least in the direction of their planes towards each other.

As a result of this is effected that not only during installing the formation of gaps is counteracted, but also in a later stage the development of gaps, as a result of which causes whatsoever, is counteracted.

Due to the fact that the coupling parts provide for an interlocking free from play, as well due to the fact that these coupling parts are manufactured in one piece, from the basic material of the floor panels, a perfect connection between adjacent floor panels can always be guaranteed, even with repeated expansion and shrinkage of the floor surface.

According to a preferred embodiment, the panels are rectangular and the coupling parts providing in said tensioning force are provided at both pairs of edges, resulting in that each panel is always closely fitting to each of the surrounding panels.

Particular forms of embodiment are described in the enclosed dependent claims 2 to 10.

Further the invention also aims a floor covering, consisting of hard floor panels provided with coupling



parts at at least one pair of edges, which due to particular combinations of features provide in an improved result. To this aim, the invention also relate to floor coverings as described in the enclosed independent, and further also dependent claims 11 to 88.

In the most preferred embodiments, for the basic material use shall be made of a ground wood-based product which by means of a binding agent is composed to a single compound. More particularly, for the core use shall be made of finely-ground wood which preferably is glued, more particularly, watertight glued. Still more particularly, for the core use shall be made of so-called HDF board (High Density Fibreboard) or MDF (Medium Density Fibreboard).

The fact that the invention is applied to floor panels the basic material of which consists of the material described above, offers the advantage that with the processing of this material, very smooth surfaces are obtained whereby very precise couplings can be realized, which in first instance, is important in the case of a snap-together connection and/or turning connection free from play. Also, very special forms of coupling parts can be manufactured in a very simple manner because the aforementioned kinds of material can be processed particularly easy.

The surfaces obtained with HDF and MDF also have the advantage that the floor panels mutually can fluently be shifted alongside each other in interlocked condition, even when engaged with a tensioning force.

The inventor also found out that the aforementioned materials, in particular HDF and MDF, show ideal features in order to realize a connection, such as mentioned above, as these materials show the right features in respect to elastic deformation in order to, on one hand, realize a snap-together effect, and, on the other hand, receive expansion and shrinkage forces in an elastic manner, whereby it is avoided that the floor panels come unlocked or are damaged in an irreparable manner.

In the case that for the core use is made of a material based on synthetic material, to this end solid synthetic material can be used as well as a mixture of synthetic materials, eventually composed of recycled materials.

The floor covering preferably is formed by joining the floor panels into each other free of glue. Hereby, the connections are of such nature that the floor panels can be disassembled without being damaged, such that, for example, when moving, they can be taken along in order to be placed again. It is, however, clear that a glueing between tongue and groove is not excluded.

The joining together of the panels, in other words the assembling of the floor, is preferably realized according to one of the methods described in the enclosed claims 89 to 98.

The invention, of course, also relates to floor panels which allow the realization of the aforementioned floor

covering, as well as the realization of the aforementioned methods.

The invention further relates to a method for the manufacturing of the aforementioned floor panels which shows the advantage that the tongues and/or grooves, including the corresponding locking means, can be provided at the floor panels at high production speeds without problems. More particularly, it aims at a method which allows that the rather complicated forms of the tongue and the groove of the aforementioned floor panels can be realized, such that the use of small milling cutters, for example finger cutters, with diameters smaller than the depth of the tongue or groove can be excluded.

This method shows the features as described in claim 99. According to this method, the tongue and/or groove is realized by means of a milling process with at least two subsequent milling cycles by means of milling cutters which are positioned in different angles in respect to the related floor panel.

Particular forms of embodiment of this method are described in the dependent claims 101 to 105.

With the intention of better showing the characteristics according to the invention, in the following, as an example without any limitative character, several preferred forms of embodiment are described, with reference to the accompanying drawings, wherein:

5 figure 1 represents a floor panel of a floor covering according to the invention;

figure 2, on a larger scale, represents a cross section according to line II-II in figure

1;

10 figures 3 and 4 represent how two floor panels with coupling parts according to figure

2 match into each other;

figure 5, on a larger scale, represents a cross section according to line V-V in figure

1;

15

figures 6 and 7 represent how two floor panels with coupling parts according to figure

5 match into each other;

figures 8 to 11 represent a number of variants of coupling parts of floor panels;

20

figure 12 schematically represents how the floor parts can be provided with coupling parts;



figure 13 represents a cross-section according to line XIII-XIII in figure 12;

figures 14 to 21, on a larger scale and in cross section, represent the penetration of the milling cutters which are indicated in figure 12 with arrows F14 to F21;

5

figure 22 represents a floor panel according to the invention;

figure 23, on a larger scale, represents the coupling of two floor panels of figure 22;

10

figures 24 and 25 represent two manners of coupling floor panels according to figure 22 to each other.

15

The invention relates to a floor covering which is composed of hard floor panels 1, for example, such as shown in figure 1.

These floor panels 1 can be of various shape, for example, rectangular or square, or of any other shape.

In the most preferred form of embodiment, they shall be manufactured in an elongated form, such as shown in figure 1, for example, with a length of 1 to 2 meters. The thickness, however, can also vary, but is preferably

0,5 to 1,5 cm, and more particularly 0,8 cm.

Each floor panel 1 is, at least at the edges of two opposite sides 2-3, provided with coupling parts 4-5 which allow that two adjacent floor panels 1 can be coupled to each other.

According to the invention, the coupling parts 4-5, as represented in the figures 2 to 4, are provided with integrated mechanical locking parts 6 which prevent the drifting apart of two coupled floor panels 1 into a direction D perpendicular to the respective sides 2-3 and parallel to the underside 7 of the coupled floor panels 1; the coupling parts 4-5 and the locking means 6 are realized in one piece with the core 8 of the floor panels 1; the coupling parts 4-5 have such a shape that two subsequent floor panels 1 can be engaged into each other exclusively by snapping-together and/or turning, whereby each subsequent floor panel 1 can be laterally inserted into the previous; and the coupling parts 4-5 preferably provide in an interlocking free from play according to all directions in the plane which is situated perpendicular to the aforementioned edges.

In the case of floor panels 1 with an elongated shape, as represented in figure 1, the respective coupling parts 4-5 are situated at the longitudinal sides 2-3.

The coupling parts 4-5 can be realized in various forms, although the basic forms thereof will always be formed by a tongue 9 and a groove 10.

In the form of embodiment of figures 2 to 4, the related floor panel 1 is provided with coupling parts 4-5 and locking means 6 which allow to mutually engage two floor panels 1 by means of a turning movement, without the

occurrence of any snap-together effect.

In the represented example, the locking means 9 consist  
 of a first locking element 11, formed by a protrusion  
 with a bent round shape at the lower side 12 of the  
 tongue 9, and a second locking element 13, formed by a  
 recess with a bent hollow shape in the lower wall 14 of  
 the groove 10.

The locking elements 11-13 provide for that two floor  
 panels 1 which are coupled to each other can not perform  
 a lateral movement in the horizontal plane in respect to  
 each other.

In order to obtain that two floor panels 1 can be  
 inserted into each other by means of a turning movement,  
 the curvatures preferably are circle-shaped. The bottom  
 side 12 has a curvature with a radius  $R_1$ , the center of  
 which coincides with the related upper edge 15 of the  
 floor panel 1, whereas the lower wall 14 shows a  
 curvature with a radius  $R_2$  which is equal to the radius  
 $R_1$ , but whereby its center coincides with the related  
 upper edge 16. Radii  $R_1$  and  $R_2$  may also be applied which  
 are larger or smaller than the distance to the upper edge  
 15, 16 respectively, and/or which differ from each other  
 in size.

The upper side 17 of the tongue 9 and the upper wall 18  
 of the groove 10 are preferably flat and preferably are  
 situated in the horizontal plane.

The front sides 19 and 20 of the tongue 9 and the groove  
 10 of two interlocked floor panels 1 preferably do not  
 fit closely against each other, such, that in between an  
 intermediate space 21 is created into which possible dust  
 remainders or such can be pushed away by means of the

tongue 9.

The tongue 9 and the groove 10 preferably have shapes which are complementary to each other, such that the tongue 9 in the engaged condition of two floor panels 1 precisely sits against the upper wall 18 and the lower wall 14 of the groove 10, whereby a pressure P, executed onto the upper lip 22, is received not only by this lip 22, but by the complete structure, because this pressure can be transmitted through the tongue 9 and the lower lip 23.

It is, however, clear that a number of minor deviations to these complementary forms can occur which, anyhow, have no or almost no effect upon the receipt and transmission of pressure forces. For example, a chamfer 24 and a recess 25 can be provided, as represented in figures 2 to 4, as a result of which is obtained that the subsequent floor panels 1 can easily be pushed into each other, such that no possible ridges or such render the good insertion difficult.

As represented in the figures 5 to 7, the floor panels 1 according to the invention can also, along the sides 26-27 which are at a right angle to the sides 2-3, be provided with coupling parts 28-29 which have locking means 30, too. The coupling parts 28-29 are preferably also realized in the shape of a tongue 31 and a groove 32. Hereby, the locking means 30 do not have to be of the same nature as the locking means 6.

Preferably, at the sides 26-27 locking means are applied which allow for an engagement and interlocking by means of a translation movement T only, as represented in figures 6 and 7. To this aim, the locking means 30 consist of a snap-together connection with locking



elements 33 and 34 which grip behind each other.

As represented in figures 5 to 7, the locking element 33 preferably consists of a protrusion of the lower side 35 of the tongue 31 which can take place in a recess 36 in the lower wall 37 of the groove 32. The locking element 34 is formed by the upward directed part which limits the recess 36.

In this case, the locking elements 33-34 have contact planes 38-39 which are parallel to each other and preferably extend in an inclined manner, according to a direction which simplifies the snapping-together. The tangent line L which is determined by the contact planes 38-39, hereby forms an angle A with the underside 7 which is smaller than  $90^\circ$ .

The locking elements 33-34 preferably are provided with inclined portions 40 and 41 which, when engaging two floor panels 1, cooperate with each other in such a manner that the locking elements 33-34 can easily be pushed over each other until they grip behind each other by means of a snap-together effect.

The thickness  $W_1$  of the tongue 31 preferably is equal to the width  $W$  of the groove 32, such that the upper lip 42, when exerting a pressure  $P$ , is supported by the tongue 31 which, in its turn, then is supported by the lower lip 43.

Analogous to the chamfer 24 and recess 25, a recess 44 and a chamfer 45 are provided also at the edges 28-29.

It is noted that such a snap-together coupling can also be applied at the edges 2-3. Hereby, this can be a snap-together coupling analogous to these of figures 5 to 7,

but this can also be a snap-together coupling whereby other forms of coupling parts are applied, for example, such as represented in figures 8 and 9. Contrary to the locking elements 33-34 which consist of rather local protrusions, in the forms of embodiment of figures 8 and 9 use is made of locking elements 46-47 which, in comparison to the total width B of the coupling, extend over a rather large distance.

10 In this case, the locking elements 46-47 are also provided at the lower side 12 of the tongue 9 and the lower wall 14 of the groove 10.

15 According to figure 8, the locking elements 46-47 have contact surfaces 48-49 which are at an angle with the plane of the floor panel 1. Hereby, a coupling is obtained which is interlocked in a particularly fixed manner.

20 As represented in figure 9, the locking elements 46-47 possibly can be realized in such a manner that substantially only a linear contact is obtained, for example, because the contact surfaces directed towards each other are realized with different curvatures.

25 The surfaces, directed towards each other, of the locking elements 46-47 hereby consist of bent surfaces. The tangent line L forms an angle A which is smaller than  $90^\circ$ , and even better is smaller than  $70^\circ$ .

30 Hereby, the locking element 46 preferably has two portions with a different curvature, on one hand, a portion 50 with a strong curvature and, on the other hand, a portion 51 with a weak curvature. The portion 50 with the strong curvature provides for the formation of a firm coupling. The portion 51 with the weak curvature

allows that the coupling parts 4-5 can be brought into each other easily. The intermediate space S forms a chamber which offers space for dust and similar which, when engaging two floor panels 1, gets there eventually.

5

In the case of a snap-together connection, for example, a connection, such as represented in figures 7 to 9, preferably always the tongue 9-31 has a shape, thickening towards below, which can cooperate with a widened portion in the groove 10.

10

In figure 10, a variant is represented whereby at least at the height of the upper edges 15-16, a sealing material 52 is provided, as a result of which a watertight sealing can be guaranteed. This sealing material 52 may consist of a strip or covering which is provided previously at the floor panel 1, either at one or both upper edges 15-16.

15

In figure 11, a further variant is represented, whereby the locking means 6 are formed by an upward directed portion 53 at the tongue 9 which, as a result of a turning movement, is brought behind a downward-directed portion 54 at the upper wall 18. More particularly, this is obtained by realizing the upper side 17 and the upper wall 18 with a curvature R3, the center of which is situated at the edges 15-16, and realizing the lower side 12 and the lower wall 14 with a radius R4, the center of which is also situated at the upper edges 15 and 16, respectively. These radii R3-R4 can be chosen otherwise, too.

20

25

30

In general, according to the invention, the difference between, on one hand, the radius R1, R3 respectively, and, on the other hand, the radius R2, R4 respectively, preferably should not be larger than 2 mm.

35

It is also preferred that the center of these radii is situated inside the circle C1, C2 respectively, which extends with a radius R5 of 3 mm around the upper edge 15, 16 respectively, such as, for example, indicated in figure 2.

Finally is noted that, according to the invention, the lower lip 23-43, as represented in figures 2 to 7, can be realized longer than the upper lip 22-42. This has as an advantage that the coupling parts 4-5-28-29 can be realized in an easier manner by means of a milling cutter or such. Furthermore, this simplifies the engagement of two floor panels 1, because each subsequent floor panel 1 during installation can be placed upon the protruding lower lip 23-43, as a result of which the tongue 9-31 and the groove 10-32 automatically are positioned in front of each other.

The embodiments whereby the lower lip 23 is equal to or shorter than the upper lip 22, in their turn, offer the advantage that no protruding lip 23 remains at the extreme edge of the floor which might cause problems in the finishing.

In order to allow for a smooth assembly, in order to guarantee the necessary stability and firmness and in order to limit the quantity of material to be cut away, the difference E between the upper lip 22-42 and the lower lip 23-43, measured in the plane of the floor panel and perpendicular to the longitudinal direction of the groove 10, should preferably be kept smaller than one time the total thickness F of the floor panel 1. For stability's sake, normally this total thickness F shall never be less than 5 mm.

35

The small dimension of the difference E offers the

advantage that the lower lip must not be strengthened by a reinforcement strip or the like.

5 According to a particular form of embodiment, the central line M1 through the tongue 9 and the groove 10 is situated lower than the center M2 of the floor panel 1, such, that the upper lip 22-42 is thicker than the lower lip 23-43. In first instance, this is essential in this kind of connections, because then it is the lower lip 23-10 43 which bends, such that the upper side of the floor panel 1 is kept free of possible deformations.

As explained in the introduction, for the core 8 a material is chosen from the following series:

- 15 -a ground product which, by means of a binding agent or by means of melting together, is composed to a single compound;
- a product based on synthetic material;
- 20 -chip board with fine chips.

The invention shows its usefulness, in first instance, preferably with laminated flooring, due to the reasons explained in the introduction.

25 As represented in the examples of the figures 2 to 11, such laminated flooring preferably consists of a core 8 made of MDF board, HDF board or similar, whereby at least at the upper side of this core 8 one or more layers of material are provided.

30

More particularly, it is preferred that the laminated flooring is provided with a decorative layer 55 and a protective top layer 56. The decorative layer 55 is a layer, impregnated with resin, for example, made of paper, which can be imprinted with a variety of patterns, such as a wood pattern, a pattern in the form of stone,35

cork, or similar or even with a fancy pattern. The protective top layer 56 preferably also consists of a layer saturated with resin, for example, melamine resin, made of a transparent material.

5

It is clear that still other layers can be applied, such as an intermediate layer 57 upon which the decorative layer 55 is provided.

10 Preferably, also a backing layer 58 shall be applied at the underside 7, forming a counterbalancing element for the top layers and, thus, guaranteeing the stability of the form of the floor panel 1. This backing layer 58 may consist of a material, for example paper, impregnated  
15 with a resin, for example, a melamine resin.

As represented schematically in figure 12, the tongue 9 and the groove 10, and preferably also the tongue 31 and the groove 32 are applied by means of a milling process.  
20 In the case that a profile has to be applied on all four sides, the floor panels 1 preferably shall be displaced by means of two perpendicular movements V1 and V2, whereby during the first movement profiles at two opposite edges are provided, in this case the  
25 longitudinal edges, by means of milling devices 59-60, whereas during the second movement profiles are provided at the other edges, in this case the small edges, by means of milling devices 61-62. During these processing, the floor panels 1 preferably are put with their  
30 decorative layer directed downward.

According to an important characteristic of the invention, each respective tongue 9-31 and groove 10-32 are realized by means of a milling process with at least  
35 two subsequent milling cycles by means of milling cutters which are positioned at different angles in reference to

the related floor panel 1.

This is illustrated in figures 13, 14 and 15, wherein it is represented how a groove 10 is realized by means of two milling cycles by means of two milling cutters 63 and 64. Figures 16 and 17 represent how the tongue 9 is realized by means of milling cutters 65 and 66.

The figures 18-19 and 20-21 represent similar views showing how the groove 32 and the tongue 31 are realized by means of milling cutters 67-68 and 69-70, positioned at an angle.

During each of the aforementioned milling cycles, each time substantially the final shape of one flank is realized. For example, the milling cutter 63 of figure 14 determines the final shape of the lower flank 71 of the groove 10, whereas the milling cutter 64 determines the final shape of the upper flank 72.

As mentioned in the introduction, preferably milling cutters 63 to 72 shall be applied, having diameters  $G$  which are at least 5 times, and even better at least 20 times larger than the thickness  $F$  of the floor panels 1.

Apart of the mentioned milling cutters, preferably still other milling cutters are applied, for example, in order to remove a part of the material to be removed already during a first premachining cycle.

In the figures 22 to 25, a particularly preferred form of embodiment of a floor panel 1 according to the invention is represented. Hereby, the parts which are taken over from the foregoing forms of embodiment are indicated with corresponding references.

An important characteristic herein consists in that the coupling parts 4-5 are provided with locking means 6 which, in engaged condition, exert a tension force upon each other, as a result of which the engaged floor portions 1 are forced towards each other. As represented, this is realized preferably by providing the coupling parts with an elastically bendable portion, in this case the lip 43, which, in engaged condition, is at least partially bent and in this way creates a tension force which provides for that the engaged floor panels 1 are forced towards each other. The hereby resulting bending V, as well as the tension force K resulting herefrom, are indicated in the enlargement of figure 23.

In order to obtain that the tension force K results in pressing together the engaged floor panels 1, the bendable portion, in this case the lip 43, preferably is provided, as represented, with an inwardly inclined contact surface 73 which preferably can cooperate with a corresponding contact surface 74. These contact surfaces 73-74 are similar to the aforementioned contact surfaces 39-38 and also similar to the inclined portions of the lower lip of figures 2 to 4.

In the figures 2 and 5, the portions form complementary matching shapes; it is, however, clear that, by a modification, also a tension effect similar as in figure 23 can be realized.

Due to, on one hand, the contact under the angle A, and, on the other hand, the fact that a tension force K is created, a force component K1 is effected, as a result of which the floor panels 1 are drawn against each other.

Preferably, the angle A of the contact surfaces 73-74 in respect to the horizontal plane is situated between 30



and 70 degrees. In first instance in the case that use is made of the embodiment whereby a tension force  $K$  is realized, an angle  $A$  of 30 to 70 degrees is ideal in order, on one hand, to effect an optimum pressing-together of the floor panels 1 and, on the other hand, to obtain that the floor panels 1 can easily be engaged, respectively disassembled.

Although the pressing force  $K_1$  preferably is delivered by the aforementioned lip 43, the invention does not exclude other forms of embodiment whereby this force is delivered by other bendable portions.

It is noted that the bending  $V$  is relatively small, for example, several hundredths up to several tenths of a millimeter, and does not have an influence upon the placement of the floor covering. Furthermore is noted that such floor covering generally is placed upon an underlayer which is elastically compressible, as a result of which the bending  $V$  of the lip 43 exclusively results in the fact that the underlayer locally is compressed somewhat more.

Due to the fact that the lip 43 is bent apart and that it remains somewhat bent apart in engaged position, also the advantage is effected that, when exerting a pressure upon the floor covering, for example, when placing an object thereupon, the pressing-together force is enhanced and, thus, the development of gaps is counteracted even more.

It is noted that the inventor has found that, contrary to all expectations, an ideal tension force can be realized by manufacturing the coupling parts 4-5, including the locking elements 33-34, and preferably the complete core 8, of HDF board or MDF board, although these materials only allow a minor elastic deformation.

HDF and MDF also offer the advantage that smooth surfaces are obtained, as a result of which the locking elements can be moved easily over each other.

5 According to a variant of the invention, the tension force can also be delivered by means of an elastic compression of the material of the coupling parts, to which end these coupling parts, and preferably the complete core 8, then have to be manufactured in an  
10 elastically compressible material.

A further particular characteristic of the embodiment of figures 22 to 25 consists in that the floor panels 1 can be engaged by means of a turning movement, as represented  
15 in figure 24, as well as by means of shifting them towards each other, as represented in figure 25, preferably in such a manner that, during the engagement by means of the turning movement, a maximum bending  $V_m$  results in the coupling parts, more particularly in the  
20 lip 43, which bending  $V_m$  is less pronounced, if not non-existent, as in the figures 2 to 4, in comparison to the bending  $V_m$  which results when the floor panels 1 are engaged by means of shifting them towards each other.

25 The advantage of this consists in that the floor panels 1 can be engaged easily by means of a turning movement, without necessitating a tool therefore, whereas it still remains possible to engage the floor panels also by means of shifting them. This latter is useful, in first  
30 instance, when the last panel has to be placed partially under a door frame or similar. In this case, the floor panel 1 can be pushed under the door frame with the side which does not have to be engaged and subsequently, possibly by means of tools, can be snapped into the  
35 adjacent floor panel 1.

It is noted that the shapes of the coupling parts 4-5 shown in figures 22 to 25 can also be used for the coupling parts 28-29 of the short sides.

5 According to the invention, in the case that the four sides 2-3-26-27 are provided with coupling parts 4-5-28-29, these coupling parts can be realized in such a manner that in one direction a firmer engagement than in the other direction is effected. In the case of elongated  
 10 floor panels 1, for example, such as represented in figure 1, the locking at the small sides 26-27 preferably shall be more pronounced than at the longitudinal sides 2-3. The length of the coupling at the small sides, namely, is smaller and, in principle, less firm. This is  
 15 compensated by providing in a more pronounced locking.

This difference in engagement can be obtained by realizing the contact surfaces 73-74 under different angles.

20 Preferably, the aforementioned protrusion, more particularly the locking element 33, is bordered by at least two portions 75-76, respectively a portion 75 with a strong inclination which provides for the locking, and  
 25 a portion 76 with a weaker inclination which renders the engagement of the coupling parts easier. In the embodiment of figures 22 to 25, these portions 75-76 are formed by straight planes, but, as already described in reference to figure 9, use can also be made of curved  
 30 portions 50-51. In figure 5, these are the contact surface 38 and the inclined portion 40.

In the preferred form of embodiment, the floor panels 1 according to the invention comprise coupling parts 4-5  
 35 and/or 28-29 showing one of the following or the combination of two or more of the following features:

- 5 - a curvature 77 at the lower side of the tongue 9 and/or a curvature 78 at the lip 43 which form a guidance when turning two floor panels 1 into each other, with the advantage that the floor panels 1 can be engaged into each other easily during installing;
- 10 - roundings 79-80 at the edges of the locking elements 33-34, with the advantages that the locking elements can easily shift over each other during the engagement, respectively disassembly of the floor panels 1 and that the locking elements are not damaged, for example, crumble away at their edges, even if the floor panels are engaged, respectively disassembled, repeatedly;
- 15 - dust chambers 81, or spaces 21 as in figure 4, between all sides, directed laterally towards each other, of the engaged floor panels 1, with the advantage that inclusions which get between the floor panels 1 during the engagement do not exert a disadvantageous influence upon the good engagement;
- 20 - a shaping of the tongue 9 which is such, for example, by the presence of a chamfer 82, that the upper side of the tongue 9 already with the first contact becomes situated under the lower side of the upper lip 42 when the floor panels 1 are pushed towards each other at the same level, as indicated in figure 25, with the advantage that the front extremity of the tongue 9 does not press against the front side of the upper lip 42 when the floor panels are pushed towards each other at the same level;
- 25 - a ramp surface 83, hereinbefore also called inclined portion 41, formed at the free extremity of the lower lip 43, with the advantage that the locking elements 33-34 shift smoothly over each other and that the lower lip 43 is bent uniformly;
- 30 - in the engagement direction only one important contact point which is formed by a section 84 at the
- 35

location of the top side of the floor panels 1, with the advantage that the aforementioned tension force is optimally transferred to the upper side of the floor panels 1 and that the development of openings between the floor panels 1 is counteracted;

5 - contact surfaces 85-86, more particularly abutment surfaces, formed by the upper side of the tongue 9 and the upper side of the groove 10 which, over the largest portion of their length, run parallel to the plane which is defined by the floor panels 1, as well as contact surfaces cooperating with each other, 10 formed by curvatures 77-78, with the advantage that no mutual displacement in height between two engaged floor panels 1 is possible, even if the insertion 15 depth of the tongue 9 into the groove 10 should vary due to which causes whatsoever, in other words, that no height differences may occur between the adjacent floor panels.

20 In the form of embodiment of figures 22 to 25, all these characteristics are combined; it is, however, clear that, as becomes evident from figures 2 to 11, these features can also be present separately or in a limited combination.

25 As becomes evident from figures 5 to 7 and 22 to 25, an important characteristic of the preferred form of embodiment of the invention consists in that the locking means 6, in other words, the portion providing for the snap-together and engagement effect, are situated in that 30 portion of the lower lip 23-43 which extends beyond the upper lip 22-42, more particularly, that the lowermost point 87 of the locking part 33 is situated under the top layer of the floor panel 1. For clarity's sake, this top 35 layer is indicated in the figures 22 to 25 only as a single layer.

It is noted that the combination of features, that the lower lip 23-43 extends further than the upper lip 22-42, that the locking means 6 are formed at least by means of a portion which inwardly slopes downward, and that this  
5 portion, at least partially, is located in the portion of the lower lip 23-43 which extends beyond the upper lip 22-42, is particularly advantageous, among others, in comparison with the couplings for floor panels described in the documents WO 94/01628, WO 94/26999, WO 96/27719  
10 and WO 96/27721. The sloping portion offers the advantage that the floor panels 1 can be disassembled again. The fact that this sloping portion is situated in the further extending portion of the lower lip 23-43 additionally to this offers the advantage that no deformations can occur  
15 during coupling which manifest themselves up to the top layer.

According to a preferred characteristic of the invention, the aforementioned portion, i.e. the contact surface 39  
20 or 73, preferably extends in such a manner that the distance up to the upper edge 16 diminishes from below in upward direction, in other words, such that, as represented in figure 22, the distance X2 is smaller than the distance X1. This is also the case in figure 7.

25 Still preferably, this portion only starts at a clear distance E1 from the upper lip 42.

30 It is obvious that the coupling parts 22 to 25 can also be realized by means of said milling process.

According to a particular characteristic of the invention, the floor panels 1 are treated at their sides 2-3 and/or 26-27 with a surface densifying agent, more  
35 particularly a surface hardening agent, which preferably is chosen from the following series of products:

impregnation agents, pore-sealing agents, lacquers, resins, oils, paraffines and similar.

5 In figure 22, such impregnation 88 is represented schematically. This treatment can be performed over the complete surface of the sides 2-3 and/or 26-27 or only over well-defined portions hereof, for example, exclusively the surfaces of the tongue 9 and the groove 10.

10

The treatment with a surface densifying agent offers, in combination with the snap-together effect, the advantage that in various aspects better coupling features are obtained. As a result of this, the coupling parts 4-5 and/or 28-29 better keep their shape and strength, even if the floor panels 1 are engaged and disassembled repeatedly. Especially in the case that for the core 8 use is made of HDF, MDF or similiar, by means of this treatment such a better quality of surface condition is  
15  
20 obtained, that no abrasion of material occurs during engaging, respectively during disassembling.

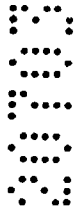
This treatment also offers the advantage that, at least in the case of a surface hardening, the aforementioned elastic tensioning effect is enhanced.  
25

The present invention is in no way limited to the forms of embodiment described by way of example and represented in the figures, however, can such floor covering and the  
30 pertaining floor panels 1 be realized in various forms and dimensions without leaving the scope of the invention.

For example, the various characteristics which are  
35 described by means of the represented forms of embodiment, may be combined with each other or not.

Furthermore, all embodiments of coupling elements described before can be applied at the longer side as well as the shorter side.

Throughout this specification and the claims which follow, unless the context requires  
5 otherwise, the word "comprise", "consisting of" and variations such as "comprises" or  
"comprising" , will be understood to imply the inclusion of a stated integer or step or group  
of integers or steps but not the exclusion of any other integer or step or group of integers or  
steps.





THE CLAIMS DEFINING THE INVENTION ARE AS FOLLOWS :

1.- Floor covering, consisting of hard floor panels which, at least at the edges of two opposite sides, are provided with coupling parts, co-operating with each other, whereby the coupling parts are provided with integrated mechanical locking means made in one piece with the panels which prevent the drifting apart of two coupled floor panels into a direction perpendicular to the related edges and parallel to the underside of the coupled floor panels, characterized in that the coupling parts are provided with means which, in the engaged condition of two or more of such floor panels, exert a tension force upon each other which forces the floor panels at least in the direction of their plane towards each other.

2.- Floor covering according to claim 1, characterized in that the coupling parts are substantially in the form of a tongue (9-31) and a groove (10-32).

3.- Floor covering according to claim 1 or 2, characterized in that the means which exert said tension force comprise an elastically bendable portion which, in the engaged condition, is at least partially bent out and in this manner provides the aforementioned tension force.

4.- Floor covering according to claim 2 or 3, characterized in that in the engagement direction, apart from a contact formed by contact surfaces (38-39, 73-74) delivering the tension force, there exists only one substantial contact point between two coupled floor panels (1), which is formed by a section (84) at the location of the top side of the floor panels (1).

5.- Floor covering according to any of the claims 2 to 4, characterized in that the elastically bendable portion consists of a lip, preferably the lip (23-43) limiting the lower side of the aforementioned groove (10).

6.- Floor covering according to claim 5, characterized in that the bendable portion which is bent out in coupled condition is formed by the lower lip (23-43) of said groove (10-32) whereby this lip (23-43) in coupled condition is bent out only downwardly.

7.- Floor covering according to claim 5 or 6, characterized in that the bendable portion is provided with a contact surface (39-73) which inwardly slopes downward.

8.- Floor covering according to any of the claims 2 to 7, characterized in that the locking means (6) comprise, at a first edge (2-27), a recess (13-36) in said lip, more particularly in said lower lip (23-43), and at a second edge (3-26), opposite to the first edge, a protrusion which in coupled condition of two panels (1) co-operates with the recess of the other panel, said recess and protrusion defining contact surfaces (38-39, 73-74) the contact of which results in said tension force, whereby the tongue (9-31) and groove (10-32) have a shape such that in coupled condition of two floor panels (1) there exists a chamber (81) between those sides of the protrusion and the recess (36) that are located opposite to the side at which the contact surfaces (39-73) are formed.

9.- Floor covering according to any of the preceding claims, characterized in that the panels (1) have a core made of HDF board or MDF board, whereby said coupling means, inclusive said bendable portion, are substantially

formed out of said board such that the tension force is delivered by the elasticity of the HDF or MDF.

10.- Floor covering according to any of the preceding claims, characterized in that the panels (1) are rectangular; in that the panels (1) are provided with coupling parts and locking means (6) at both pairs of opposite edges; and in that the means providing in the tension force are integrated at both pairs of edges which are perpendicular to each other, such that the panels (1) in engaged condition are forced to each other at all coupled edges.

11.- Floor covering, consisting of hard floor panels having a wood-based core, said panels being provided, at least at the edges of two opposite sides, with coupling parts formed in one piece with said wood-based core and co-operating with each other, substantially in the form of a tongue and a groove, characterized in that the coupling parts are provided with integrated mechanical locking means, also made in one piece with said core, which prevent the drifting apart of two coupled floor panels in a direction perpendicular to the related edge and parallel to the underside of the coupled floor panels, and in that said wood-based core consists of HDF board or MDF board.

12.- Floor covering, consisting of hard floor panels, said panels being provided, at least at the edges of two opposite sides, with coupling parts co-operating with each other, substantially in the form of a tongue and a groove, whereby the coupling parts are provided with integrated mechanical locking means which prevent the drifting apart of two coupled floor panels in a direction perpendicular to the related edge and parallel to the underside of the

coupled floor panels, characterized in that the coupling means comprise a recess in the upper side of the lower lip bordering the underside of the groove, in that the recess at the inner side of the panel is bordered by a portion which is inclined and in that said inclined portion connects to the lower surface of the groove.

13.- Floor covering according to claim 12, characterized in that the portion of the lower surface of the groove connected to the inclined surface of the recess consists of a curvature (78).

14.- Floor covering, consisting of hard floor panels, said panels being provided, at least at the edges of two opposite sides, with coupling parts co-operating with each other, substantially in the form of a tongue and a groove, whereby the coupling parts are provided with integrated mechanical locking means which prevent the drifting apart of two coupled floor panels in a direction perpendicular to the related edge and parallel to the underside of the coupled floor panels, characterized in that the coupling means comprise a recess in the upper side of the lower lip bordering the underside of the groove, and in that the coupling means are provided with a guidance provided at the portion of the upperside of the lower lip between the recess and the inside of the groove and/or at the lower side of the tongue.

15.- Floor covering according to claim 14, characterized in that said guidance is at least provided at the lower side of the tongue and comprises a curvature (77).

16.- Floor covering according to claim 14 or 15, characterized in that said guidance is at least provided at

the upper side of the lower lip and comprises a curvature (78).

17.- Floor covering, consisting of hard floor panels (1), said panels being realized as laminated flooring, comprising a wood-based core, consisting of a ground wood product which, together with a binding agent is composed to a single compound and/or is made of chip board with fine chips, whereby on this core (8) one or more layers are provided, among which a decorative layer (55) and whereby a backing layer (58) is provided at the underside (7), characterized in that the panels at least at the edges of two opposite sides (2-3, 26-27), are provided with coupling parts (4-5, 28-29), co-operating with each other, substantially in the form of a tongue (9-31) and a groove (10-32), whereby the coupling parts are provided with integrated mechanical locking means (6) made in one piece with the panels which prevent the drifting apart of two coupled floor panels into a direction (R) perpendicular to the related edges (2-3, 26-27) and parallel to the underside (7) of the coupled floor panels, and whereby said locking means (6) are obtained by means of said tongue and groove in that the tongue is provided with an upward directed portion (53), whereas the upper wall (18) of the groove is provided with a downward directed portion (54).

18.- Floor covering according to claim 17, characterized in that the groove is limited by an upper and a lower lip of substantially the same length.

19.- Floor covering according to claim 17 or 18, characterized in that the tongue and groove are circularly curved.

20.- Floor covering, consisting of hard floor panels, said panels being provided, at least at the edges of two opposite sides, with coupling parts co-operating with each other, substantially in the form of a tongue and a groove, whereby the coupling parts are provided with integrated mechanical locking means which prevent the drifting apart of two coupled floor panels in a direction perpendicular to the related edge and parallel to the underside of the coupled floor panels, characterized in that the floor panels at least at said edges are provided with a lower lip bordering the underside of the groove which extends beyond the upper lip bordering the upper side of the groove; in that the coupling means are located in the lower lip and the corresponding lower surface of the tongue; and in that the shaping of the tongue (9-31) and/or the lower lip (43) are such that the floor panels (1) can be coupled by laterally shifting them towards each other, starting from a mutual position in which the floor panels (1) at the edges to be coupled, are completely separated from each other.

21.- Floor covering according to claim 20, characterized in that the upper side of the tongue tip already at the first contact with the upper lip (42) is located underneath the upper lip (42) when the floor panels (1) are shifted towards each other.

22.- Floor covering according to claim 21, characterized in that the locking means comprise a recess in the lower lip (43) and a protrusion at the lower side of the tongue and in that the shaping of the tongue (9-31) and/or the lower lip (43) are such that the tongue tip is located underneath the upper lip (42) before the protrusion is contacting the lower lip.

23.- Floor covering according to claim 20, 21 or 22, characterized in that the locking means comprise a recess in the lower lip (43) and a protrusion at the lower side of the tongue, and in that the lower lip (43) at the free extremity thereof is provided with a ramp surface (41-83), said ramp surface (41-83) allowing that a first floor panel (1), when shifting it over the floor to a second floor panel (1), is guided with its protrusion over said ramp surface.

24.- Floor covering, consisting of hard floor panels (1) which, at least at the edges of two opposite sides (2-3, 26-27), are provided with coupling parts (4-5, 28-29), co-operating with each other, substantially in the form of a tongue (9-31) and a groove (10-32), whereby the coupling parts are provided with integrated mechanical locking means (6) made in one piece with the panels which prevent the drifting apart of two coupled floor panels into a direction (R) perpendicular to the related edges (2-3, 26-27) and parallel to the underside (7) of the coupled floor panels, characterized in that said edges, including the coupling means as well as the locking means, consist of a milled profile, and more particularly in that the tongue (9-31) and the groove (10-32) have a profile which can be produced by means of milling cutters having a diameter which is at least 5 times, and even better 20 times larger than the thickness (F) of the floor panels (1).

25.- Floor covering according to claim 24, characterized in that the edges of the panels have a profile which can be milled in two milling actions.

26.- Floor covering, consisting of hard floor panels (1) which, at least at the edges of two opposite sides (2-3,

26-27), are provided with coupling parts (4-5, 28-29), co-operating with each other, substantially in the form of a tongue (9-31) and a groove (10-32), whereby the coupling parts (4-5, 28-29) are provided with integrated mechanical locking means (6) which prevent the drifting apart of two coupled floor panels into a direction (R) perpendicular to the related edges (2-3, 26-27) and parallel to the underside (7) of the coupled floor panels, characterized in that said floor panels (1) show the further features:

- that the floor panels are rectangular laminated floor panels;
- that such coupling parts are provided at all four sides;
- that the coupling parts at the edges of a first pair of opposite sides are realized in such a manner that the floor panels (1), from a position in which the edges are positioned along each other, can be engaged at least by means of a turning movement, whereas the coupling parts at the edges of the second pair of opposite sides are realized in such a manner that the floor panels, from a position in which the edges are positioned along each other, also can be engaged by means of a turning movement;
- that the coupling parts (4-5, 28-29) and the locking means (6) are realized in one piece with the core (8) of the floor panels; and
- that the lower side of each panel shows a supporting surface which is substantially co-planar with the upper side of the panel.

27.- Floor covering, consisting of hard floor panels (1) which, at least at the edges of two opposite sides (2-3, 26-27), are provided with coupling parts (4-5, 28-29), co-operating with each other, substantially in the form of



a tongue (9-31) and a groove (10-32), whereby the coupling parts (4-5, 28-29) are provided with integrated mechanical locking means (6) which prevent the drifting apart of two coupled floor panels into a direction (R) perpendicular to the related edges (2-3, 26-27) and parallel to the underside (7) of the coupled floor panels, characterized in that said floor panels (1) show the further features:

- that the floor panels are rectangular;
- that such coupling parts are provided at all four sides;
- that the coupling parts at the edges of a first pair of opposite sides are realized in such a manner that the floor panels (1), from a position in which the edges are positioned along each other, can be engaged at least by means of a turning movement, whereas the coupling parts at the edges of the second pair of opposite sides are realized in such a manner that the floor panels, from a position in which the edges are positioned along each other, can be engaged only by means of a turning movement;
- that the coupling parts (4-5, 28-29) and the locking means (6) are realized in one piece with the core (8) of the floor panels; and
- that the lower side of each panel forms a supporting surface which is substantially co-planar with the upperside of the panel.

28.- Floor covering, consisting of hard floor panels (1) which, at least at the edges of two opposite sides (2-3, 26-27), are provided with coupling parts (4-5, 28-29), co-operating with each other, substantially in the form of a tongue (9-31) and a groove (10-32), whereby the coupling parts (4-5, 28-29) are provided with integrated mechanical locking means (6) which prevent the drifting apart of two

coupled floor panels into a direction (R) perpendicular to the related edges (2-3, 26-27) and parallel to the underside (7) of the coupled floor panels, characterized in that said floor panels (1) show the further features:

- that the floor panels are rectangular;
- that such coupling parts are provided at all four sides;
- that the coupling parts at the edges of a first pair of opposite sides are realized in such a manner that the floor panels (1), from a position in which the edges are positioned along each other, can be engaged only by means of a turning movement, whereas the coupling parts at the edges of the second pair of opposite sides are also realized in such a manner that the floor panels, from a position in which the edges are positioned along each other, can be engaged only by means of a turning movement;
- that the coupling parts (4-5, 28-29) and the locking means (6) are realized in one piece with the core (8) of the floor panels; and
- that the lower side of each panel forms a supporting surface which is substantially co-planar with the upperside of the panel.

29.- Floor covering, consisting of hard floor panels (1) which, at least at the edges of two opposite sides (2-3, 26-27), are provided with coupling parts (4-5, 28-29), co-operating with each other, substantially in the form of a tongue (9-31) and a groove (10-32), whereby the coupling parts (4-5, 28-29) are provided with integrated mechanical locking means (6) which prevent the drifting apart of two coupled floor panels into a direction (R) perpendicular to the related edges (2-3, 26-27) and parallel to the

underside (7) of the coupled floor panels, characterized in that said floor panels (1) show the further features:

- that the floor panels are rectangular;
- that such coupling parts are provided at all four sides;
- that the coupling parts at the edges of a first pair of opposite sides are realized in such a manner that the floor panels (1), from a position in which the edges are positioned along each other, can be engaged at least by means of a turning movement, whereas the coupling parts at the edges of the second pair of opposite sides are realized in such a manner that the floor panels, from a position in which the edges are positioned along each other, can be engaged at least by shifting them towards each other; and
- that the coupling parts (4-5, 28-29) and the locking means (6) are realized in one piece with the core (8) of the floor panels.

30.- Floor covering, consisting of hard floor panels (1) which, at least at the edges of two opposite sides (2-3, 26-27), are provided with coupling parts (4-5, 28-29), co-operating with each other, substantially in the form of a tongue (9-31) and a groove (10-32), whereby the coupling parts (4-5, 28-29) are provided with integrated mechanical locking means (6) which prevent the drifting apart of two coupled floor panels into a direction (R) perpendicular to the related edges (2-3, 26-27) and parallel to the underside (7) of the coupled floor panels, characterized in that said floor panels (1) show the further features:

- that the floor panels are rectangular;
- that such coupling parts are provided at all four sides; and

- that the coupling parts at the edges of a first pair of opposite sides are realized in such a manner that the floor panels (1), from a position in which the edges are positioned along each other, can be engaged only by means of a turning movement, whereas the coupling parts at the edges of the second pair of opposite sides are realized in such a manner that the floor panels, from a position in which the edges are positioned along each other, can be engaged at least by shifting them towards each other.

31.- Floor covering according to claim 30, characterized in that the coupling parts at one edge comprise a tongue having a locking element (11) formed by a protrusion with a bent round shape at the lower side (12) of the tongue (9) and at the opposite edge a groove provided with a second locking element (13), formed by a recess with a bent hollow shape in the lower wall (14) of the groove (10); and in that at the edges perpendicular to the first mentioned edges, the panels (1) are provided with coupling parts (4-5, 28-29), having locking means (6) allowing to couple the panels (1) by means of shifting.

32.- Floor covering according to claim 31, characterized in that the protrusion and the recess are circle-shaped.

33.- Floor covering, consisting of hard floor panels (1) which, at least at the edges of two opposite sides (2-3, 26-27), are provided with coupling parts (4-5, 28-29), co-operating with each other, substantially in the form of a tongue (9-31) and a groove (10-32), whereby the coupling parts (4-5, 28-29) are provided with integrated mechanical locking means (6) which prevent the drifting apart of two coupled floor panels into a direction (R) perpendicular to

the related edges (2-3, 26-27) and parallel to the underside (7) of the coupled floor panels, characterized in that said floor panels (1) show the further features:

- that the floor panels are rectangular;
- that such coupling parts are provided at all four sides;
- that the coupling parts at the edges of a first pair of opposite sides are realized in such a manner that the floor panels (1), from a position in which the edges are positioned along each other, can be engaged at least by shifting them towards each other, whereas the coupling parts at the edges of the second pair of opposite sides are realized in such a manner that the floor panels, from a position in which the edges are positioned along each other, can be engaged also at least by shifting them towards each other; and
- that the coupling parts (4-5, 28-29) and the locking means (6) are realized in one piece with the core (8) of the floor panels.

34.- Floor covering, consisting of hard floor panels (1) which, at least at the edges of two opposite sides (2-3, 26-27), are provided with coupling parts (4-5, 28-29), co-operating with each other, substantially in the form of a tongue (9-31) and a groove (10-32), whereby the coupling parts (4-5, 28-29) are provided with integrated mechanical locking means (6) which prevent the drifting apart of two coupled floor panels into a direction (R) perpendicular to the related edges (2-3, 26-27) and parallel to the underside (7) of the coupled floor panels, characterized in that said floor panels (1) show the further features:

- that the floor panels are rectangular;
- that such coupling parts are provided at all four sides; and

- that the coupling parts at the edges of a first pair of opposite sides are realized in such a manner that the floor panels (1), from a position in which the edges are positioned along each other, can be engaged at least by means of a turning movement, whereas the coupling parts at the edges of the second pair of opposite sides are realized in such a manner that the floor panels, from a position in which the edges are positioned along each other, can be engaged only by shifting them towards each other.

35.- Floor covering, consisting of hard floor panels (1) which, at least at the edges of two opposite sides (2-3, 26-27), are provided with coupling parts (4-5, 28-29), co-operating with each other, substantially in the form of a tongue (9-31) and a groove (10-32), whereby the coupling parts (4-5, 28-29) are provided with integrated mechanical locking means (6) which prevent the drifting apart of two coupled floor panels into a direction (R) perpendicular to the related edges (2-3, 26-27) and parallel to the underside (7) of the coupled floor panels, characterized in that said floor panels (1) show the further features:

- that the floor panels are rectangular;
- that such coupling parts are provided at all four sides; and
- that the coupling parts at the edges of a first pair of opposite sides are realized in such a manner that the floor panels (1), from a position in which the edges are positioned along each other, can be engaged only by means of a turning movement, whereas the coupling parts at the edges of the second pair of opposite sides are realized in such a manner that the floor panels, from a position in which the edges are

positioned along each other, can be engaged only by shifting them towards each other.

36.- Floor covering, consisting of hard floor panels (1) which, at least at the edges of two opposite sides (2-3, 26-27), are provided with coupling parts (4-5, 28-29), co-operating with each other, substantially in the form of a tongue (9-31) and a groove (10-32), whereby the coupling parts (4-5, 28-29) are provided with integrated mechanical locking means (6) which prevent the drifting apart of two coupled floor panels into a direction (R) perpendicular to the related edges (2-3, 26-27) and parallel to the underside (7) of the coupled floor panels, characterized in that said floor panels (1) show the further features:

- that the floor panels are rectangular;
- that such coupling parts are provided at all four sides; and
- that the coupling parts at the edges of a first pair of opposite sides are realized in such a manner that the floor panels (1), from a position in which the edges are positioned along each other, can be engaged at least by shifting them towards each other, whereas the coupling parts at the edges of the second pair of opposite sides are realized in such a manner that the floor panels, from a position in which the edges are positioned along each other, can be engaged only by shifting them towards each other.

37.- Floor covering, consisting of hard floor panels (1) which, at least at the edges of two opposite sides (2-3, 26-27), are provided with coupling parts (4-5, 28-29), co-operating with each other, substantially in the form of a tongue (9-31) and a groove (10-32), whereby the coupling parts (4-5, 28-29) are provided with integrated mechanical

locking means (6) which prevent the drifting apart of two coupled floor panels into a direction (R) perpendicular to the related edges (2-3, 26-27) and parallel to the underside (7) of the coupled floor panels, characterized in that said floor panels (1) show the further features:

- that the floor panels are rectangular;
- that such coupling parts are provided at all four sides;
- that the coupling parts at the edges of a first pair of opposite sides are realized in such a manner that the floor panels (1), from a position in which the edges are positioned along each other, can be engaged only by shifting them towards each other, whereas the coupling parts at the edges of the second pair of opposite sides are realized in such a manner that the floor panels, from a position in which the edges are positioned along each other, can also be engaged only by shifting them towards each other; and
- that the coupling parts (4-5, 28-29) and the locking means (6) are realized in one piece with the core (8) of the floor panels.

38.- Floor covering, consisting of hard floor panels (1) which, at least at the edges of two opposite sides (2-3, 26-27), are provided with coupling parts (4-5, 28-29), co-operating with each other, substantially in the form of a tongue (9-31) and a groove (10-32), whereby the coupling parts (4-5, 28-29) are provided with integrated mechanical locking means (6) which prevent the drifting apart of two coupled floor panels into a direction (R) perpendicular to the related edges (2-3, 26-27) and parallel to the underside (7) of the coupled floor panels, characterized in that said floor panels (1) show the further features:



- that the floor panels are rectangular laminated floor panels;
- that such coupling parts are provided at all four sides;
- that the coupling parts at the edges of a first pair of opposite sides are realized in such a manner that the floor panels (1), from a position in which the edges are positioned along each other, can be engaged by means of a turning movement as well as by shifting them towards each other, whereas the coupling parts at the edges of the second pair of opposite sides are realized in such a manner that the floor panels, from a position in which the edges are positioned along each other, can be engaged at least by means of a turning movement; and
- that the coupling parts (4-5, 28-29) and the locking means (6) are realized in one piece with the core (8) of the floor panels.

39.- Floor covering, consisting of hard floor panels (1) which, at least at the edges of two opposite sides (2-3, 26-27), are provided with coupling parts (4-5, 28-29), co-operating with each other, substantially in the form of a tongue (9-31) and a groove (10-32), whereby the coupling parts (4-5, 28-29) are provided with integrated mechanical locking means (6) which prevent the drifting apart of two coupled floor panels into a direction (R) perpendicular to the related edges (2-3, 26-27) and parallel to the underside (7) of the coupled floor panels, characterized in that said floor panels (1) show the further features:

- that the floor panels are rectangular laminated floor panels;
- that such coupling parts are provided at all four sides; and

- that the coupling parts at the edges of a first pair of opposite sides are realized in such a manner that the floor panels (1), from a position in which the edges are positioned along each other, can be engaged by means of a turning movement as well as by shifting them towards each other, whereas the coupling parts at the edges of the second pair of opposite sides are realized in such a manner that the floor panels, from a position in which the edges are positioned along each other, can be engaged only by means of a turning movement.

40.- Floor covering, consisting of hard floor panels (1) which, at least at the edges of two opposite sides (2-3, 26-27), are provided with coupling parts (4-5, 28-29), co-operating with each other, substantially in the form of a tongue (9-31) and a groove (10-32), whereby the coupling parts (4-5, 28-29) are provided with integrated mechanical locking means (6) which prevent the drifting apart of two coupled floor panels into a direction (R) perpendicular to the related edges (2-3, 26-27) and parallel to the underside (7) of the coupled floor panels, characterized in that said floor panels (1) show the further features:

- that the floor panels are rectangular laminated floor panels;
- that such coupling parts are provided at all four sides;
- that the coupling parts at the edges of a first pair of opposite sides are realized in such a manner that the floor panels (1), from a position in which the edges are positioned along each other, can be engaged by means of a turning movement as well as by shifting them towards each other, whereas the coupling parts at the edges of the second pair of opposite sides are

realized in such a manner that the floor panels, from a position in which the edges are positioned along each other, can be engaged at least by shifting them towards each other; and

- that the coupling parts (4-5, 28-29) and the locking means (6) are realized in one piece with the core (8) of the floor panels.

41.- Floor covering, consisting of hard floor panels (1) which, at least at the edges of two opposite sides (2-3, 26-27), are provided with coupling parts (4-5, 28-29), co-operating with each other, substantially in the form of a tongue (9-31) and a groove (10-32), whereby the coupling parts (4-5, 28-29) are provided with integrated mechanical locking means (6) which prevent the drifting apart of two coupled floor panels into a direction (R) perpendicular to the related edges (2-3, 26-27) and parallel to the underside (7) of the coupled floor panels, characterized in that said floor panels (1) show the further features:

- that the floor panels are rectangular laminated floor panels;
- that such coupling parts are provided at all four sides; and
- that the coupling parts at the edges of a first pair of opposite sides are realized in such a manner that the floor panels (1), from a position in which the edges are positioned along each other, can be engaged by means of a turning movement as well as by shifting them towards each other, whereas the coupling parts at the edges of the second pair of opposite sides are realized in such a manner that the floor panels, from a position in which the edges are positioned along each other, can be engaged only by shifting them towards each other.

42.- Floor covering, consisting of hard floor panels (1) which, at least at the edges of two opposite sides (2-3, 26-27), are provided with coupling parts (4-5, 28-29), co-operating with each other, substantially in the form of a tongue (9-31) and a groove (10-32), whereby the coupling parts (4-5, 28-29) are provided with integrated mechanical locking means (6) which prevent the drifting apart of two coupled floor panels into a direction (R) perpendicular to the related edges (2-3, 26-27) and parallel to the underside (7) of the coupled floor panels, characterized in that said floor panels (1) show the further features:

- that the floor panels are rectangular laminated floor panels;
- that such coupling parts are provided at all four sides;
- that the coupling parts at the edges of a first pair of opposite sides are realized in such a manner that the floor panels (1), from a position in which the edges are positioned along each other, can be engaged by means of a turning movement as well as by shifting them towards each other, whereas the coupling parts at the edges of the second pair of opposite sides are realized in such a manner that the floor panels, from a position in which the edges are positioned along each other, can also be engaged by means of a turning movement as well as by shifting them towards each other; and
- that the coupling parts (4-5, 28-29) and the locking means (6) are realized in one piece with the core (8) of the floor panels.

43.- Floor covering, consisting of hard floor panels (1) which, at least at the edges of two opposite sides (2-3, 26-27), are provided with coupling parts (4-5, 28-29),

co-operating with each other, substantially in the form of a tongue (9-31) and a groove (10-32), whereby the coupling parts (4-5, 28-29) are provided with integrated mechanical locking means (6) which prevent the drifting apart of two coupled floor panels into a direction (R) perpendicular to the related edges (2-3, 26-27) and parallel to the underside (7) of the coupled floor panels, characterized in that said floor panels (1) show the further features:

- that the floor panels consist of laminated floor panels having a core of MDF or HDF;
- that the coupling parts are realized in such a manner that the floor panels (1), from a position in which the edges are positioned along each other, can be engaged at least by means of a turning movement;
- that the coupling parts (4-5, 28-29) and the locking means (6) are realized in one piece with the core (8) of the floor panels; and
- that said groove is bordered by a lower lip, which lip is made solely out of the material of the floor panel itself, more particularly is free of additional elements.

44.- Floor covering, consisting of hard floor panels (1) which, at least at the edges of two opposite sides (2-3, 26-27), are provided with coupling parts (4-5, 28-29), co-operating with each other, substantially in the form of a tongue (9-31) and a groove (10-32), whereby the coupling parts (4-5, 28-29) are provided with integrated mechanical locking means (6) which prevent the drifting apart of two coupled floor panels into a direction (R) perpendicular to the related edges (2-3, 26-27) and parallel to the underside (7) of the coupled floor panels, characterized in that said floor panels (1) show the further features:

- that the coupling parts are realized in such a manner that the floor panels (1), from a position in which the edges are positioned along each other, can be engaged only by means of a turning movement;
- that the coupling parts (4-5, 28-29) and the locking means (6) are realized in one piece with the core (8) of the floor panels; and
- that the lower side of each panel forms a supporting surface which is substantially co-planar with the upper surface.

45.- Floor covering, consisting of hard floor panels (1) which, at least at the edges of two opposite sides (2-3, 26-27), are provided with coupling parts (4-5, 28-29), co-operating with each other, substantially in the form of a tongue (9-31) and a groove (10-32), whereby the coupling parts (4-5, 28-29) are provided with integrated mechanical locking means (6) which prevent the drifting apart of two coupled floor panels into a direction (R) perpendicular to the related edges (2-3, 26-27) and parallel to the underside (7) of the coupled floor panels, characterized in that said floor panels (1) show the further features:

- that the floor panels consist of laminated floor panels having a core of MDF or HDF;
- that the coupling parts are realized in such a manner that the floor panels (1), from a position in which the edges are positioned along each other, can be engaged at least by shifting the panels towards each other;
- that the coupling parts (4-5, 28-29) and the locking means (6) are realized in one piece with the core (8) of the floor panels;

- that said groove is bordered by a lower lip, which lip extends beyond the upper lip bordering the groove; and
- that the locking means are located at least partially into the portion of the lower lip which extends beyond the upper lip.

46.- Floor covering, consisting of hard floor panels (1) which, at least at the edges of two opposite sides (2-3, 26-27), are provided with coupling parts (4-5, 28-29), co-operating with each other, substantially in the form of a tongue (9-31) and a groove (10-32), whereby the coupling parts (4-5, 28-29) are provided with integrated mechanical locking means (6) which prevent the drifting apart of two coupled floor panels into a direction (R) perpendicular to the related edges (2-3, 26-27) and parallel to the underside (7) of the coupled floor panels, characterized in that said floor panels (1) show the further features:

- that the floor panels consist of laminated floor panels having a core of MDF or HDF;
- that the coupling parts are realized in such a manner that the floor panels (1), from a position in which the edges are positioned along each other, can be engaged only by shifting the panels towards each other;
- that the coupling parts (4-5, 28-29) and the locking means (6) are realized in one piece with the core (8) of the floor panels;
- that said groove is bordered by a lower lip, which lip extends beyond the upper lip bordering the groove; and
- that the locking means are located at least partially into the portion of the lower lip which extends beyond the upper lip.

47.- Floor covering, consisting of hard floor panels (1) which, at least at the edges of two opposite sides (2-3, 26-27), are provided with coupling parts (4-5, 28-29), co-operating with each other, substantially in the form of a tongue (9-31) and a groove (10-32), whereby the coupling parts (4-5, 28-29) are provided with integrated mechanical locking means (6) which prevent the drifting apart of two coupled floor panels into a direction (R) perpendicular to the related edges (2-3, 26-27) and parallel to the underside (7) of the coupled floor panels, characterized in that said floor panels (1) show the further features:

- that the floor panels consist of laminated floor panels having a core of MDF or HDF;
- that the coupling parts are realized in such a manner that the floor panels (1), from a position in which the edges are positioned along each other, can be engaged by means of turning the panels as well as by shifting the panels towards each other;
- that the coupling parts (4-5, 28-29) and the locking means (6) are realized in one piece with the core (8) of the floor panels; and
- that said groove is bordered by a lower lip, which lip extends beyond the upper lip bordering the groove.

48.- Floor covering, consisting of hard floor panels (1) which, at least at the edges of two opposite sides (2-3, 26-27), are provided with coupling parts (4-5, 28-29), co-operating with each other, substantially in the form of a tongue (9-31) and a groove (10-32), whereby the coupling parts (4-5, 28-29) are provided with integrated mechanical locking means (6) which prevent the drifting apart of two coupled floor panels into a direction (R) perpendicular to the related edges (2-3, 26-27) and parallel to the



underside (7) of the coupled floor panels, characterized in that said floor panels (1) show the further features:

- that the floor panels are rectangular laminated floor panels;
- that such coupling parts are provided at all four sides;
- that the coupling parts (4-5, 28-29) and the locking means (6) are realized in one piece with the core (8) of the floor panels.

49.- Floor covering, consisting of hard floor panels (1) which, at least at the edges of two opposite sides (2-3, 26-27), are provided with coupling parts (4-5, 28-29), co-operating with each other, substantially in the form of a tongue (9-31) and a groove (10-32), whereby the coupling parts (4-5, 28-29) are provided with integrated mechanical locking means (6) which prevent the drifting apart of two coupled floor panels into a direction (R) perpendicular to the related edges (2-3, 26-27) and parallel to the underside (7) of the coupled floor panels, characterized in that said floor panels (1) show the further features:

- that the floor panels are rectangular;
- that such coupling parts are provided at all four sides;
- that the coupling parts (4-5, 28-29) and the locking means (6) are realized in one piece with the core (8) of the floor panels;
- that the lower lip bordering the lower side of the groove extends beyond the upper lip bordering the upper side of the groove;
- that the locking means are located in the lower lip and the corresponding portion of the underside of the tongue;

- that the couplings at all four sides are free of play; and
- that at least at one pair of opposite sides the locking means (6) are providing in a snap-together effect.

50.- Floor covering according to any of claims 26 to 49, characterized in that the panels are rectangular and that one side is longer than the other, and in that the first pair of opposite edges is formed by the edges of the longer sides, whereas the second pair of opposite edges is formed by the edges of the shorter side.

51.- Floor covering according to any of claims 26 to 49, characterized in that the panels are rectangular and that one side is longer than the other, and in that the first pair of opposite edges is formed by the edges of the shorter sides, whereas the second pair of opposite edges is formed by the edges of the longer side.

52.- Floor covering according to any of the preceding claims, characterized in that the coupling parts (4-5, 28-29) provide in an interlocking, allowing to couple the panels free from play in respect to each other, according to all directions in the plane which is situated perpendicular to the aforementioned edges.

53.- Floor covering according to any of the preceding claims, characterized in that the lower lip (23-43) shows one or more of the following features:

- a thickness which is smaller than the thickness of the upper lip;
- a flexibility higher than the flexibility of the

upper lip (22-42).

54.- Floor covering according to any of the preceding claims, characterized in that the locking means substantially consist of a locking element in the form of a protrusion, provided at the lower side of the tongue and a locking element formed in the lip which borders the lower side of the groove, in the form of a recess.

55.- Floor covering according to claim 54, characterized in that the locking means are configured in such a manner that one or more of following features are obtained:

- that said protrusion has a base extending along the lower surface (35) of said tongue over a considerable length;
- that the lower lip extends beyond the upper lip and that the recess, and more particularly the contact surface providing in the locking effect, is located at least partially beyond the outer end of the upper lip;
- that the locking means (6) are formed by locking elements (34) which are located completely in the portion of the lower lip (23-43) which extends beyond the upper lip (22-42), such that the lowermost point (87) of engagement of the locking elements (34) is located underneath the top layer of the floor panel (1) which carries the related tongue (9);
- that the portion of the lower lip (23-43) located beyond the upper lip (22-42) is located completely below the level defined by the lower side of the upper lip (22-42);
- that said portion of the lower lip is located

- completely below the central line M2 of the panel;
- that the distance (E) by which the lower lip extends beyond the upper lip is smaller than one time the total thickness (F) of the floor panel (1).

56.- Floor covering according to any of the preceding claims, characterized in that the lip bordering the underside of the groove shows one or more of the following features:

- that this lip is elastically bendable;
- that the thickness of the lower lip (23-43) increases from the deepest point of the recess towards the innermost point of the groove (10).

57.- Floor covering according to any of the preceding claims, characterized in that the lower lip bordering the lower side of the groove shows one or more of the following features:

- that the lower lip is provided with a contact surface and in that at least this contact surface (39-73) is inwardly inclined;
- that said contact surface at the lower lip cooperates with the contact surface at the lower side of the tongue and in that both contact surfaces (38-39, 73-74) are inclined;
- that both contact surfaces (12-14, 38-39, 74-73) are inclined and have corresponding inclinations.

58.- Floor covering according to any of the preceding claims, characterized in that the lower lip has an inclined locking portion (39-73) which extends in such a manner that

the distance (X1-X2) up to the upper edge (16) of the floor panel (1) diminishes from below in upward direction.

59.- Floor covering according to any of the preceding claims, characterized in that the locking means (6) are provided with locking elements (33-34, 46-47) which are realized in such a manner that the tangent line (L) which is defined by the contact surfaces of said locking elements forms an angle (A) with the underside (7) of the floor panels which is different from 90 degrees, and preferably an angle (A) with the underside (7) of the floor panels which is 30° to 70°.

60.- Floor covering according to any of the preceding claims, characterized in that the total thickness (F) of each floor panel (1) is larger than or equal to 5 mm.

61.- Floor covering according to any of the preceding claims, characterized in that the locking means comprise a recess in the lower lip bordering the lower side of the groove and a protrusion at the lower side of the tongue and in that the lower surface of the aforementioned protrusion is bordered by at least two portions (38-40, 75-76), respectively a portion (38-75) with a strong inclination providing for the locking effect, and a portion (40-76) with a weaker inclination which renders the engagement of the coupling parts (4-5) easier.

62.- Floor covering according to any of the preceding claims, characterized in that the lower side of the tongue is provided with a curvature (77).

63.- Floor covering according to any of the preceding claims, characterized in that there is a curvature (78) at

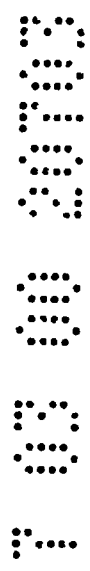
the upper side of the lower lip (23-43), in other words the lip bordering the lower side of the groove, which curvature (78) forms a guidance when turning two floor panels (1) into each other.

64.- Floor covering according to any of the preceding claims, characterized in that dust chambers or similar (21-44-81) are provided between all sides of the engaged floor panels (1) which are directed laterally towards each other, and further characterized in that preferably in the engagement direction, apart from said contact surfaces (39-73) there exists only one substantial contact point between two coupled floor panels (1), which is formed by a section (84) at the location of the top side of the floor panels (1).

65.- Floor covering according to any of the preceding claims, characterized in that said floor panels (1) are provided with contact surfaces (85-86), more particularly abutment surfaces, formed by the upper side of the tongue (9-31) and the upper side of the groove (10) which, over the largest portion of their length, run parallel to the plane which is defined by the floor panels (1).

66.- Floor covering according to any of the preceding claims, characterized in that the underside of the upper lip (22-42), bordering the upper side of the groove, is provided with a chamfer (24-45).

67.- Floor covering according to any of the preceding claims, characterized in that the locking means comprise contact surfaces (39-73) which are located on radii (R1-R2) around the upper edges (15-16) of the floor panels, the



difference between these radii (R1-R2) being zero or not larger than 2 mm.

68.- Floor covering according to any of the preceding claims, characterized in that the locking means, and more particularly the upper side of the lower lip (43) and/or the lower side (12) of the tongue, show a portion having a curvature substantially with a radius (R1, respectively R2), said curvature having a center which is located within the circle (C1, respectively C2) which extends with a radius (R5) of 3 mm around the upper edge (15-16) of the panel (1) concerned.

69.- Floor covering according to any of the preceding claims, characterized in that the upper side of the upper lip (22-42) is in the same plane as the upper surface of the panel (1).

70.- Floor covering according to any of the preceding claims, characterized in that the tongue (9) and groove (10) allow to couple the panels (1) by a turning movement around the upper edges (15-16) of the panels (1), whereby during this movement the tongue can freely be slid into the groove (10).

71.- Floor covering according to any of the preceding claims, characterized in that the panels (1) have short sides and longer sides and in that the locking means (6) comprise contact surfaces which at the short sides have a stronger inclination than at the longer sides.

72.- Floor covering according to any of the preceding claims, characterized in that the floor panels (1) are realized as laminated flooring, whereby on the core (8) one

or more layers, among which a decorative layer (55) forming said decorative surface, are provided and whereby a backing layer (58) is provided at the underside (7).

73.- Floor covering according to any of the preceding claims, characterized in that the floor panels have a wood based core, comprising a ground wood product which, together with a binding agent is composed to a single compound and/or is made of chip board with fine chips, and preferably the wood based core of the floor panels (1) consists of HDF board or MDF board, whereby the coupling parts (4-5-28-29) and the locking means (6) are formed out of this board.

74.- Floor covering according to claim 73, characterized in that the coupling parts at their surface, in other words, the edges of the floor panels (1), are treated with a surface densifying agent, more particularly, a surface hardening agent.

75.- Floor covering according to any of the preceding claims, characterized in that the floor panels (1) are connected free of glue, such that they can be disassembled and be re-used.

76.- Floor covering according to any of the preceding claims, characterized in that the coupling parts and locking means are formed by profiled edges extending continuously along the complete length of the concerned sides of the panels.

77.- Floor covering according to any of the preceding claims, characterized in that the coupling parts and locking means are constructed such that they allow the



joining together of two panels at least by means of a turning movement or at least by shifting them towards each other.

78.- Floor covering according to any of the preceding claims, characterized in that the coupling means, including the locking means are made in one piece substantially out of the core.

79.- Floor covering according to any of the preceding claims, characterized in that said coupling means, including the locking means are formed out of milled profiles.

80.- Floor covering according to any of the preceding claims, characterized in that the floor panels are rectangular and show a shorter and a longer side and in that the coupling means, including the locking means are at least provided at the longer sides of the panels.

81.- Floor covering according to any of the preceding claims, characterized in that the floor panels are rectangular and show a shorter and a longer side and in that coupling means, including the locking means are at least provided at the shorter sides of the panels.

82.- Floor covering according to any of the preceding claims, characterized in that the locking means comprise a recess in the lip bordering the lower side of the groove and a protrusion at the lower side of the panel and in that the tongue (9-31) and groove (10-32) have a shape such that in coupled condition of two floor panels (1) there exists a chamber (81) between those sides of the protrusion and the

recess (36) that are located opposite to the sides at which the contact surfaces (39-73) are formed.

83.- Floor covering according to any of the preceding claims, characterized in that the locking means comprise a recess in the lip bordering the lower side of the groove and a protrusion at the lower side of the panel and in that there is a space (S, 81) between said protrusion and a portion of said lower lip (43), more particularly below said protrusion, allowing a further penetration of the protrusion in the recess, when necessary.

84.- Floor covering according to any of the preceding claims, characterized in that the panels comprise locking means (6) providing a snapping-together effect.

85.- Floor covering according to any of the preceding claims, characterized in that the floor panels are rectangular and that, on all four sides, more particularly two by two, they are provided with coupling parts providing a locking as well as in vertical as in horizontal direction.

86.- Floor covering according to any of the preceding claims characterized in that the coupling parts and locking means at one pair of the edges show the same characteristics as at the other pair of edges.

87.- Floor covering according to any of the preceding claims, characterized in that the panels show a lower side forming a supporting surface, which surfaces substantially co-planar with the upper side, more particularly is free from local additional elements, such as strips or the like.

88.- Floor covering, consisting of hard floor panels, characterized in that it combines the features of two or more of the preceding claims.

89.- Method of assembling a floor covering, said floor covering consisting of hard floor panels (1) of rectangular shape which, at both pairs of opposite sides (2-3, 26-27), are provided with coupling parts (4-5, 28-29) co-operating with each other, substantially in the form of a tongue (9-31) and a groove (10-32), whereby the coupling parts (4-5, 28-29) are provided with integrated mechanical locking means (6) made in one piece with the core of the panels (1), which prevent the drifting apart of two coupled floor panels (1) into a direction (R) perpendicular to the related edges (2-3, 26-27) and parallel to the underside (7) of the coupled floor panels (1), characterized in that the core of the panels, including the locking means (6), substantially consist of MDF or HDF, whereby the locking means (6) further provide in an engagement free of play between the coupled panels (1) and in that said method comprises the steps of:

- coupling a first of said panels (1) to an already installed panel or row of panels;
- coupling a second of said panels (1) to said already installed panel or row of panels;
- and shifting said second panel in a substantial planar fashion towards the first panel in order to couple the second panel to the first panel, wherein during said shifting the sliding properties are determined by the contact between the MDF or HDF surfaces of the coupling parts.

90.- A method of assembling a floor covering, said floor covering consisting of hard floor panels (1) of rectangular shape which, at both pairs of opposite sides (2-3, 26-27), are provided with coupling parts (4-5, 28-29) co-operating with each other, substantially in the form of a tongue (9-31) and a groove (10-32), whereby the coupling parts (4-5, 28-29) are provided with integrated mechanical locking means (6) which prevent the drifting apart of two coupled floor panels (1) into a direction (R) perpendicular to the related edges (2-3, 26-27) and parallel to the underside (7) of the coupled floor panels (1), whereby the lower lip (23-43) which limits the lower side of the groove (10), extends beyond the upper lip (22-42) and whereby said locking means (6) comprise a portion which inwardly slopes downward, which portion, at least partially, is located in the portion of the lower lip (23-43) which extends beyond the upper lip (22-42), whereby this portion cooperates with a surface at the lower side of the tongue, which is also inclined, characterized in that said method comprises the steps of:

- laying a first of said hard floor panels;
- placing a second panel next to an edge of said first panel, such that the tongue of one panel edge lies next to the groove of the other panel edge;
- shifting the panels towards each other, such that the tongue is moved into the groove, thereby urging down the lower lip, whereby the locking is realized in that the inclined surface of the lower lip systematically take place behind the inclined surface of the tongue.

91.- Method according to claim 90, characterized in that the first panel (1) is previously coupled to an already installed panel or row of panels, the side of this panel or

row of panels being directed to the first panel (1) being the side having the groove, and that the second panel, before being coupled to the first panel (1), first is coupled to the already installed panel or row of panels by means of the steps of:

- directing the second panel with its edge which is provided with a tongue towards the already installed panel or row of panels;
- inserting the panel with the tongue at least partially into the groove of the already installed panel or row of panels;
- and angling down the second panel so that the inclined locking surfaces are brought behind each other;

whereby, after having brought the second panel into a substantially horizontal position, this panel is shifted towards the first panel, thereby remaining coupled to the previously installed panel or row of panels.

92.- Method according to claim 90, characterized in that the first panel (1) is previously coupled to an already installed panel or row of panels, the side of this panel or row of panels being directed to the first panel (1) being the side having the groove, and in that the second panel, before being coupled to the first panel (1), first is coupled to the already installed panel or row of panels by means of the steps of:

- placing the second panel next to the edge of said previously installed panel or row of panels, such that the tongue of an edge of the second panel lies next to the groove of an edge of the other panel or row of panels;
- shifting the second panel towards the previously installed panel or row of panels, such that the tongue

of the second panel is moved into said groove, thereby urging down the lower lip of the already installed panel or row of panels, whereby the locking is realized in that the inclined surface of this lower lip systematically takes place behind the inclined surface at said tongue;

whereby, after having coupled the second panel with the previously installed panel or row of panels, this second panel is shifted towards the first panel, thereby remaining coupled to the previously installed panel or row of panels.

93.- Method according to any of the claims 89 to 92, characterized in that floor panels are used providing in a coupling without play, as well as in a joining offering a snapping-together effect.

94.- Method according to any of the claims 89 to 93, characterized in that panels are applied whereby the shaping of the tongue (9) is such that the upper side of the tongue (9) already with the first contact becomes situated under the lower side of the upper lip (42) when the floor panels are shifted towards each other.

95.- A method of assembling a floor covering, characterized in that said floor covering consists of hard floor panels (1) of rectangular shape which, at least at two opposite sides (2-3, 26-27), are provided with coupling parts (4-5, 28-29) co-operating with each other, substantially in the form of a tongue (9-31) and a groove (10-32), whereby the coupling parts (4-5, 28-29) are provided with integrated mechanical locking means (6), made in one piece with the panels (1), which prevent the drifting apart of two coupled floor panels (1) into a direction (R) perpendicular to the related edges (2-3, 26-27) and parallel to the

underside (7) of the coupled floor panels (1), whereby the lower lip (23-43) which limits the lower side of the groove (10), extends beyond the upper lip (22-42) and whereby said locking means (6) comprise a portion which inwardly slopes downward, which portion, at least partially, is located in the portion of the lower lip (23-43) which extends beyond the upper lip (22-42), whereby this portion cooperates with a surface at the lower side of the tongue, which is also inclined, and in that said method comprises the steps of:

- laying a first of said hard floor panels (1); and
- coupling a second panel to said first panel, by fitting the tongue and groove into each other, thereby providing that the lower lip is bent out in coupled condition, such that said lip, by means of the inclined portions provides in a force by which the panels (1) are permanently urged towards each other.

96.- Method according to claim 95, characterized in that floor panels (1) are applied which are provided with said coupling parts and locking means at both pairs of opposite sides (2-3, 26-27) and in that the method comprises the steps of:

- laying a first of said floor panels (1);
- coupling a second panel to said first panel, by fitting the tongue and groove into each other, thereby providing in that the lower lip is bent out in coupled condition, such that said lip, by means of the inclined portions provides in a force by which the panels (1) are permanently urged towards each other; and
- coupling a third panel to the first as well as second panel, respectively at a first edge and a second edge perpendicular to the first edge, thereby providing in that the lower lip at both edges is bent

out in coupled condition, such that each of said lips, by means of the inclined portions provides in a force by which the panels (1) are permanently urged towards each other.

97.- A method according to claim 95 or 96, characterized in that the panels (1) are installed on a flexible underlay, whereby the elastically bent portions of the panels (1) which provide in that the panels (1) are pressed to each other, are bent out downwardly and whereby the unevenness caused by these portions is taken up by the flexibility of the underlay.

98.- Method according to any of the claims 89 to 97, characterized in that panels are used showing the features described in any of the claims 1 to 97.

99.- Method for manufacturing floor panels, which floor panels at least at the edges of two opposite sides are provided with coupling parts co-operating with each other, substantially in the form of a tongue and a groove, whereby the coupling parts are provided with integrated mechanical locking means made in one piece out of the material of the panels which prevent the drifting apart of two coupled floor panels into a direction perpendicular to the related edges and parallel to the underside of the coupled floor panels, characterized in that the tongue and/or groove is realized by means of a milling process with at least two subsequent milling cycles by means of milling cutters which are positioned in different angles in respect to the related floor panel (1).

100.- Method according to claim 99, characterized in that one milling cutter is rotated in a plane substantially



parallel to the plane of the panel, whereas the second milling cutter is rotated in a plane which is inclined in respect to the plane of the panel (1).

101.- Method according to claim 99 or 100, characterized in that during each aforementioned milling cycles each time substantially the final shape of one flank (71-72), either of the tongue or the groove, is realized.

102.- Method according to any of the claims 99 to 101, characterized in that for the aforementioned milling cycles milling cutters (63-64-65-66-67-68-69-70) are applied which extend outside the groove (10-32), respectively the tongue (9-31), and more particularly show diameters (G) which are at least five times larger than the thickness (F) of the floor panels (1).

103.- Method according to claim 102, characterized in that said diameters (G) are at least twenty times larger than the thickness (F) of the floor panels (1).

104. - Method according to any of the claims 99 to 103, characterized in that at all four sides of the floor panel (1) a profile is provided and that the floor panels are displaced according to two perpendicular movements (V1-V2), whereby during one of the movements profiles at two opposite edges are provided, whereas during the other movement profiles are provided at the small edges.

105.- Method for manufacturing floor panels, preferably according to any of the claims 99 to 104, which floor panels at least at the edges of two opposite sides are provided with coupling parts co-operating with each other, substantially in the form of a tongue and a groove, whereby

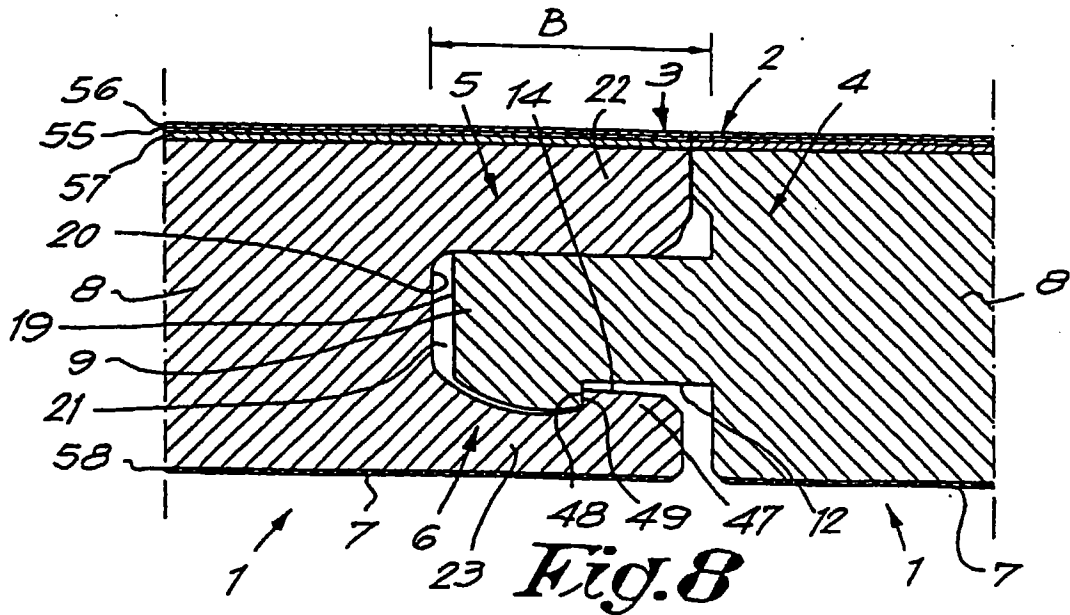
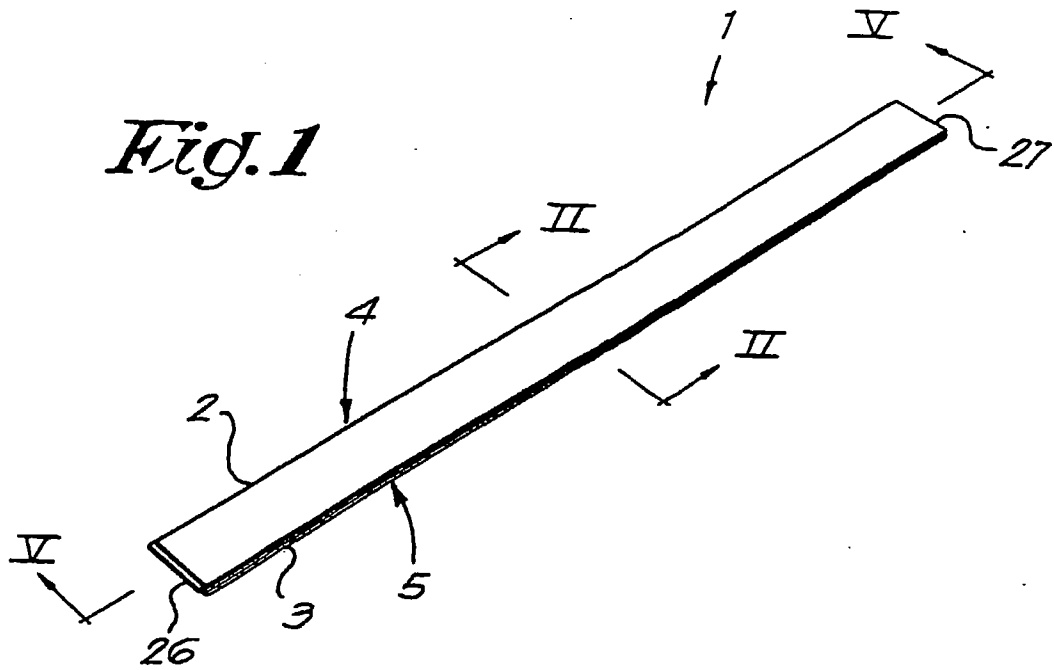
the coupling parts are provided with integrated mechanical locking means made in one piece out of the material of the panels which prevent the drifting apart of two coupled floor panels into a direction perpendicular to the related edges and parallel to the underside of the coupled floor panels, characterized in that the complete shape of the edges is formed solely by sawing and milling.

106.- Floor panel for realizing a floor covering according to any of the claims 1 to 88 and/or for assembling a floor covering according to a method described in any of the claims 89 to 98.

DATED this SEVENTH day of MARCH 2000  
**Unilin Beheer B.V.**

By its Patent Attorneys  
**DAVIES COLLISON CAVE**

*Fig. 1*

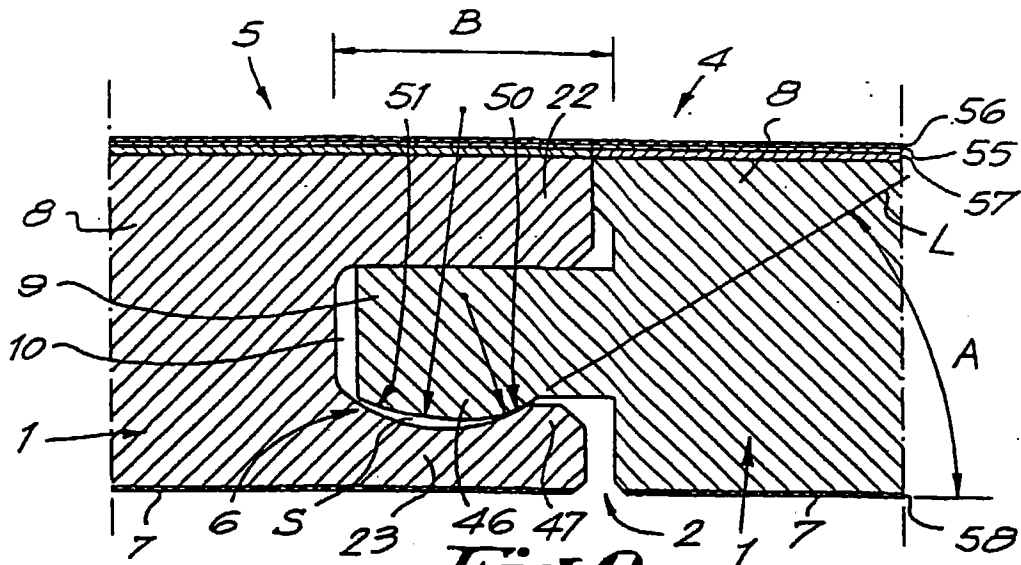


*Fig. 8*

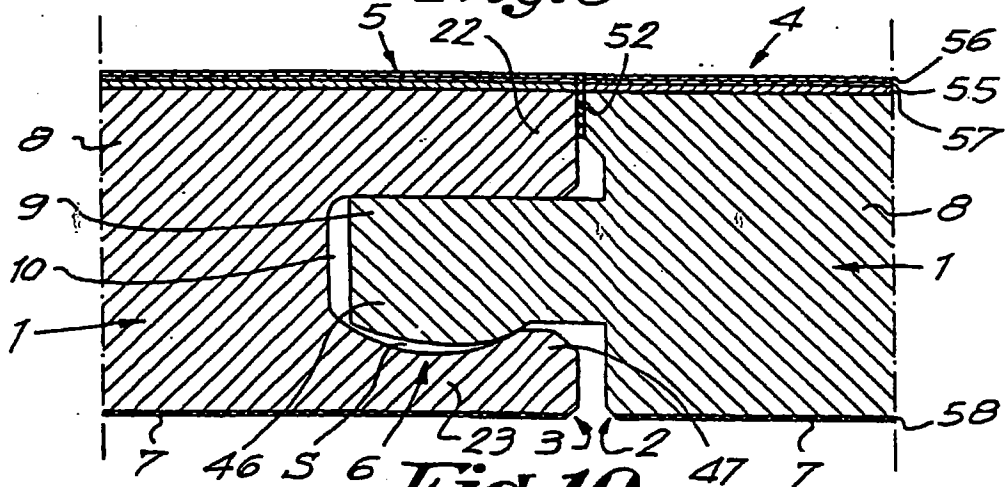




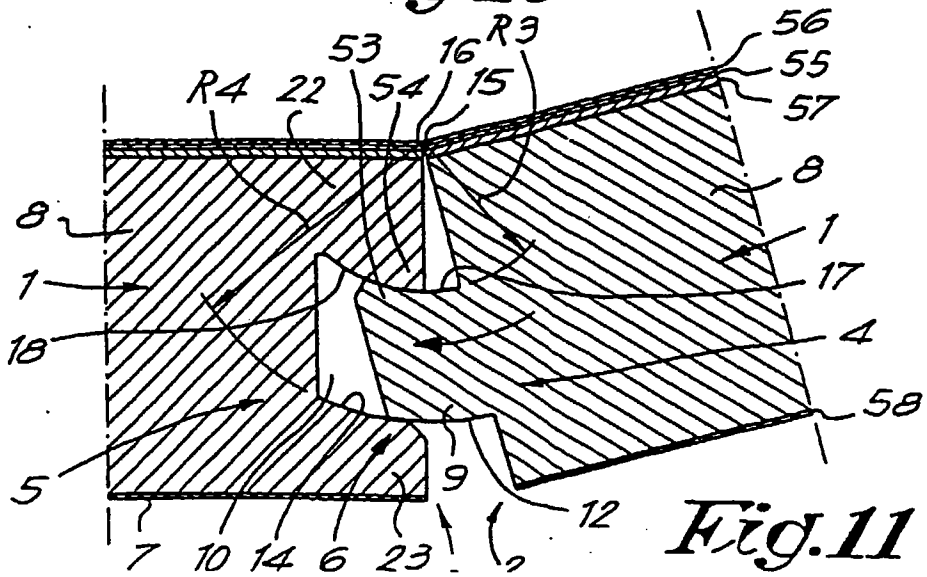
4/10



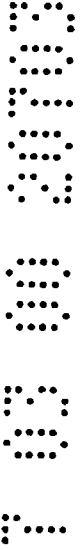
**Fig. 9**



**Fig. 10**



**Fig. 11**



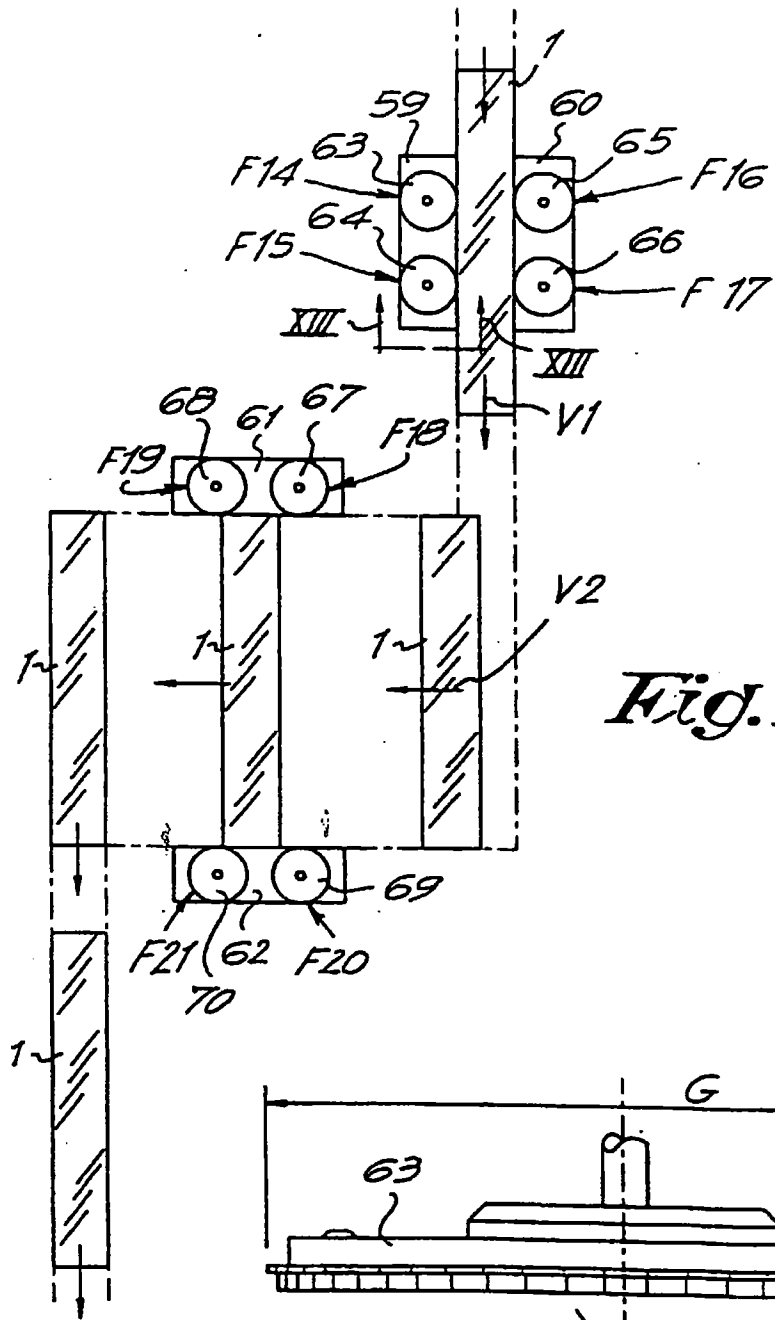


Fig. 12

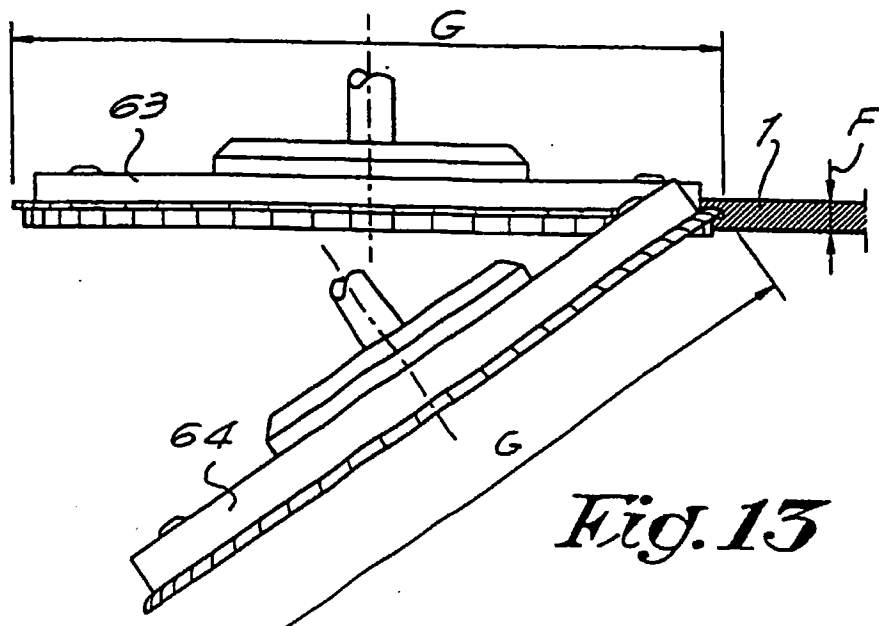
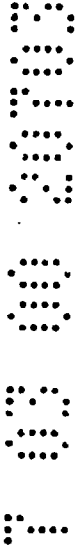
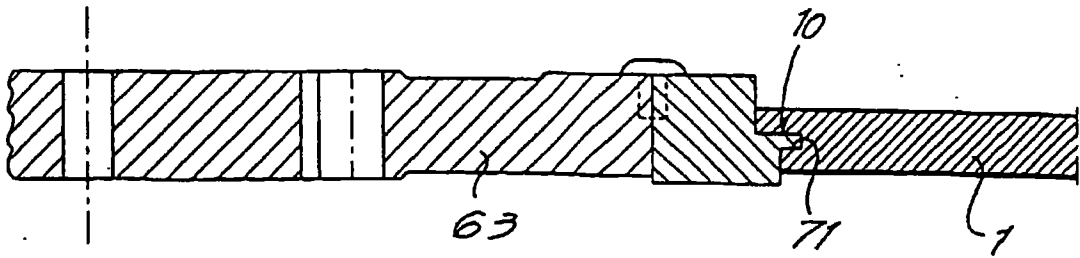
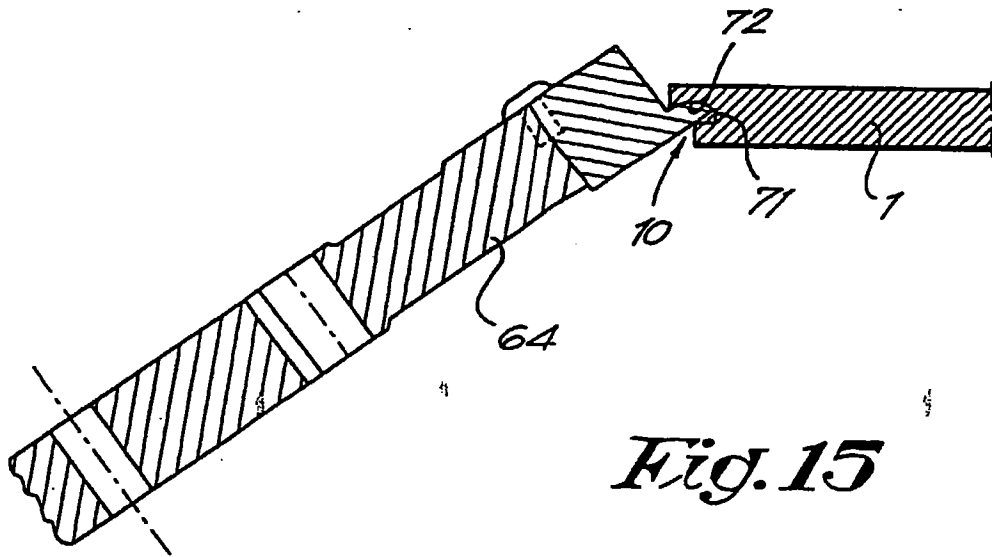


Fig. 13

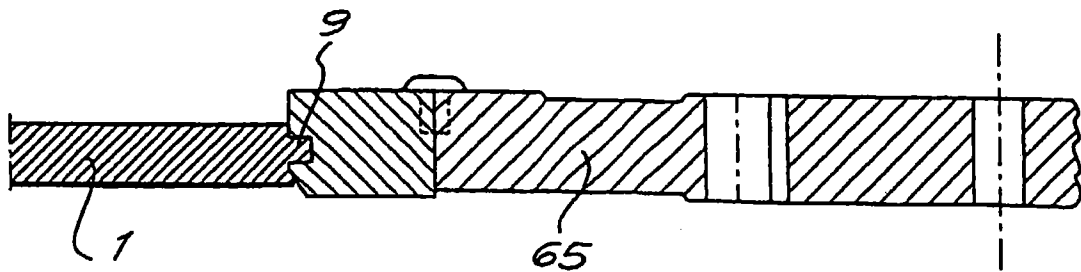




*Fig. 14*



*Fig. 15*

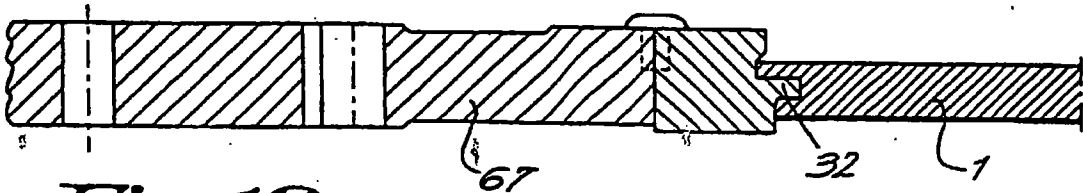
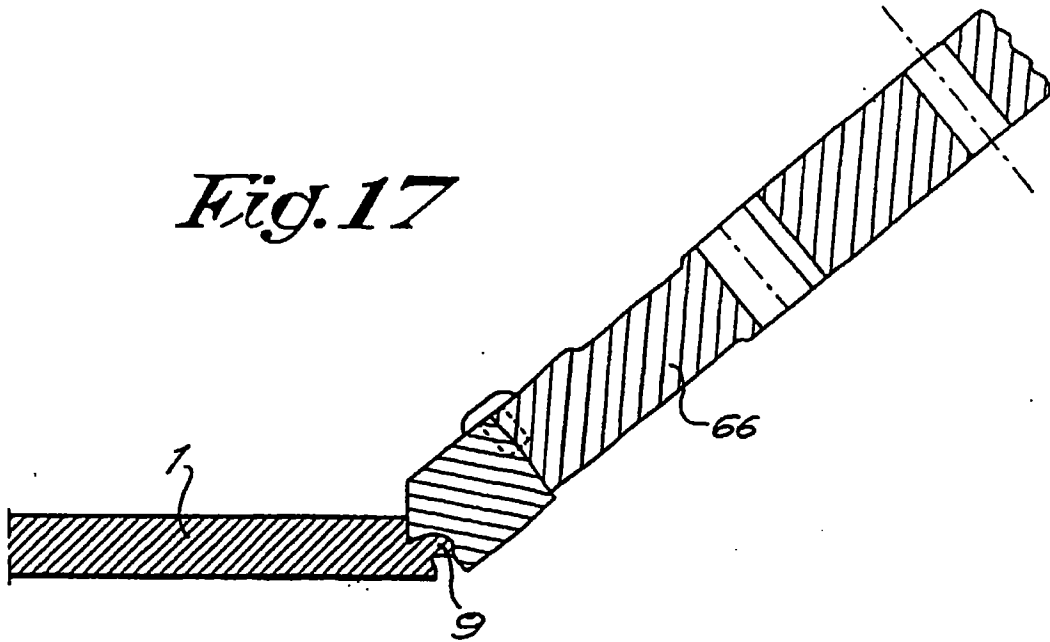


*Fig. 16*

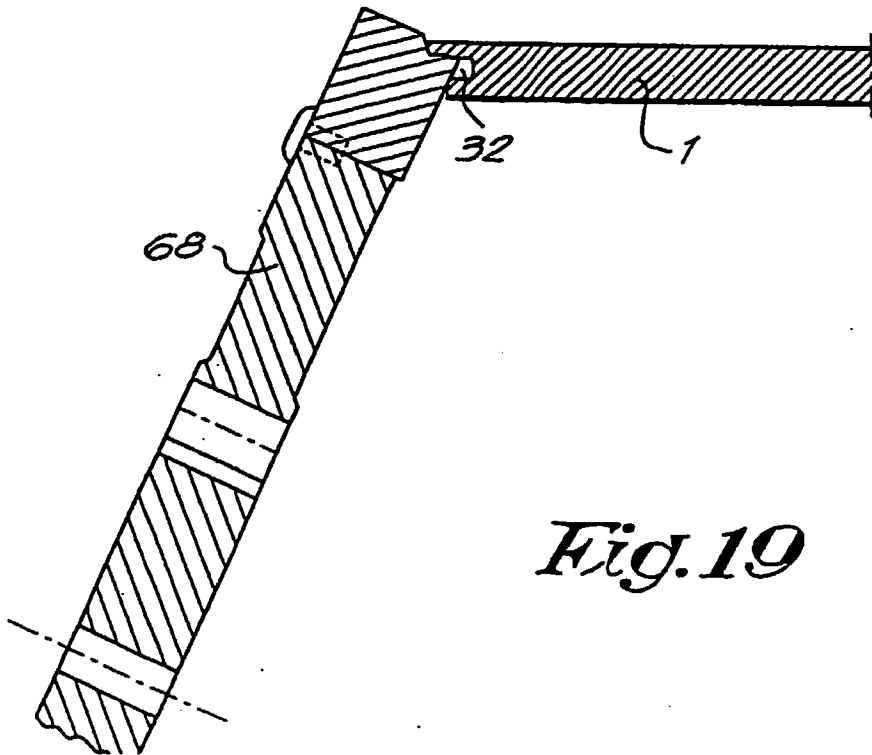
FOR INFORMATION



*Fig. 17*

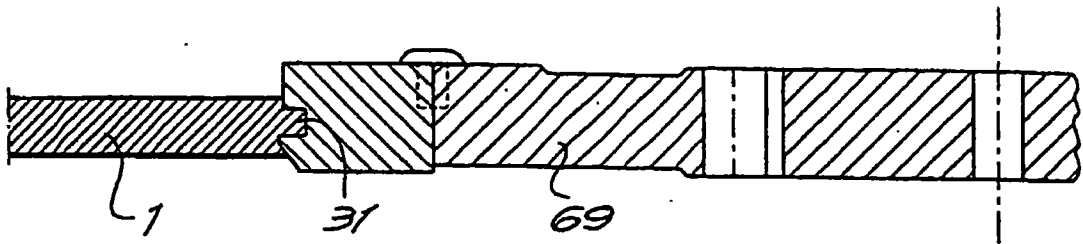


*Fig. 18*

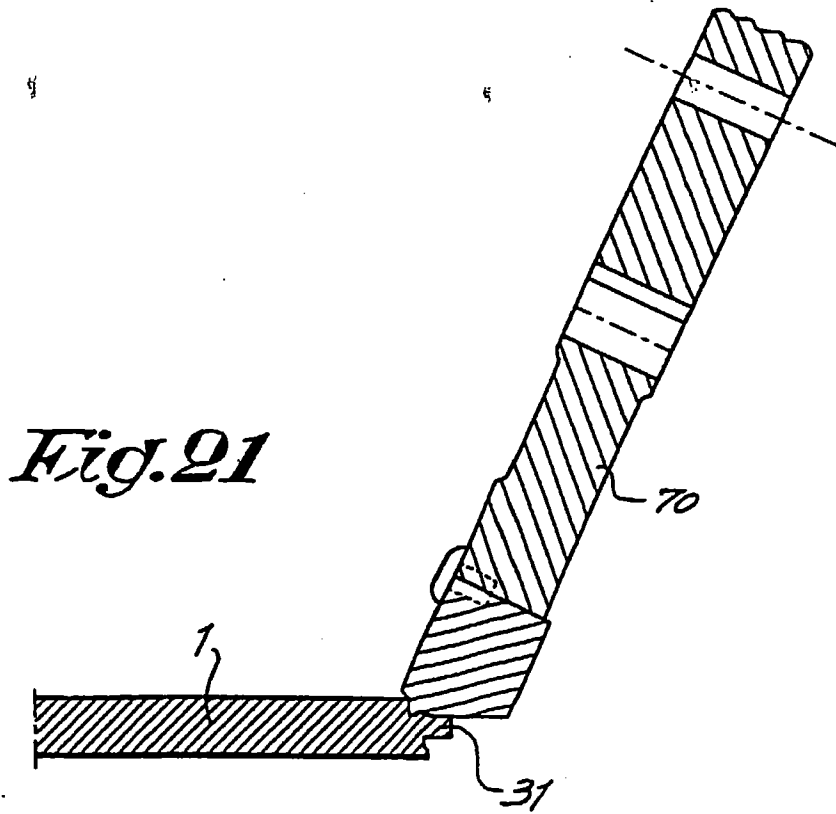


*Fig. 19*

U  
S  
P  
A  
T  
E  
N  
T



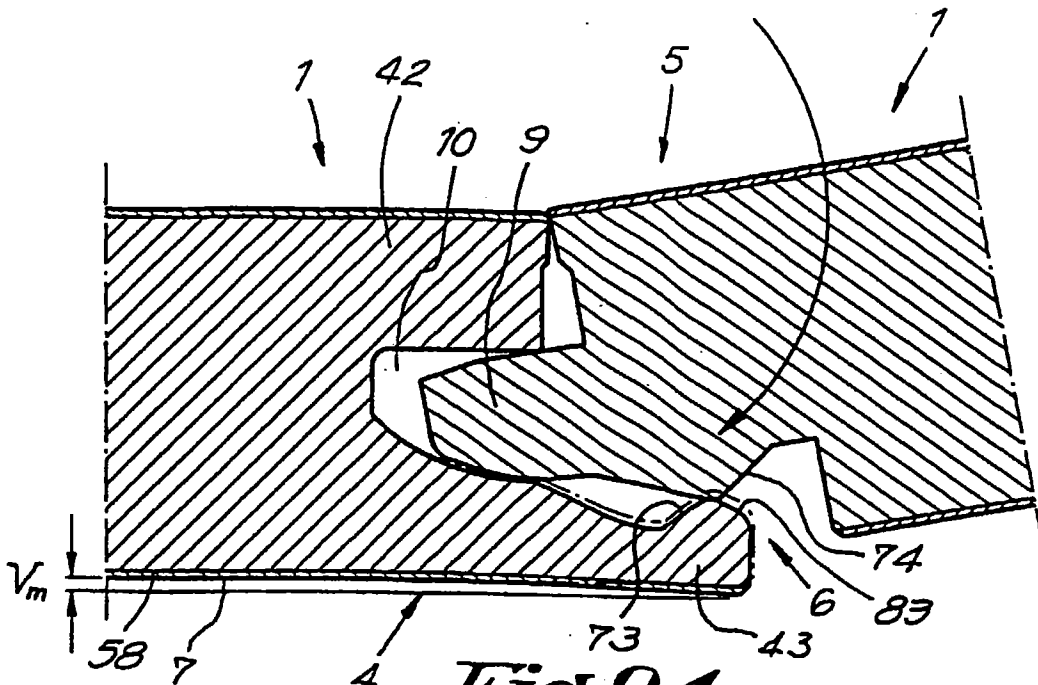
*Fig. 20*



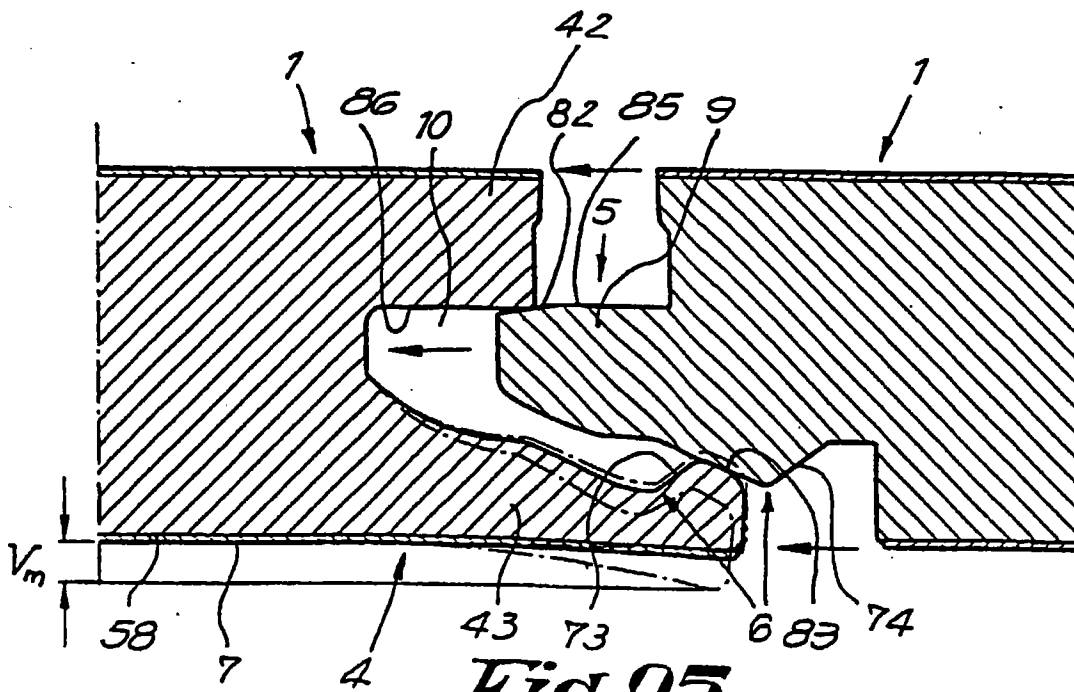
*Fig. 21*

5  
5  
5  
5  
5





**Fig. 24**



**Fig. 25**

(11) AU-B1-56 668/80

- 2 -

ignition enabling signal responsive to the existence of a said signal level which corresponds to an ethyl alcohol concentration which is less than a predetermined concentration if gas flow into the housing is sustained for a period of time at least equal to the third predetermined period of time.